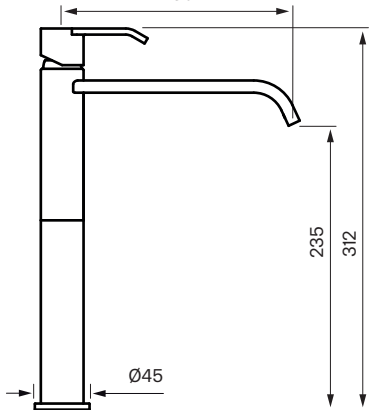


190



$\text{Ø}45$

235

312

Hulldiameter
 $\text{Ø}35$

G 3/8"

