



**Terrassevarmer Bordmodell/Table top heater
ART NR 420135**



<u>EN</u>	<u>Instruction Manual</u>
<u>SV</u>	<u>Bruksanvisning</u>
<u>FI</u>	<u>Käyttöohje</u>

TABLETOP HEATER
INSTRUCTION MANUAL

WARNING: FOR OUTDOOR USE ONLY



Read the instructions before installation and use!Keep the instructions for future references!

"These instructions are only valid if the country symbol appears on the instruction manual and the appliance"

TABLE OF CONTENTS	See on page
Caution	2 ,3,4 and 5
Appliance stand and location	5
Gas requirements	5
Leakage test	6
Operation	6
Storage	7
Cleaning and care	8
Connecting gas line to LPG Gas Cylinder	8
Parts and technical specification	10
Assembly parts	12
Assembly procedures	13
Problems check list	16

Notice: this appliance is adjusted to work with gases C30/G31(Butane/Propane) or mix of them, at 28-30/37/50mbar; Do not use other type of gases!

CAUTION

*PLEASE READ CAREFULLY THE FOLLOWING
SAFETY GUIDELINES BEFORE OPERATION*

- The use of this appliance in enclosed areas can be dangerous and is PROHIBITED.
- The appliance must be installed in accordance with the instructions and National Rules in force.
- Do not store or use gasoline or other flammable vapors or liquids into the appliance unit.
- Installation and repair should be done by a qualified service person only.
- This appliance must be installed according to National rules in force and the LPG Gas Cylinder, stored in LPG Gas Cylinder housing, should be of proper shape and in accordance with National Rules as above.
- Improper installation, adjustment and alteration, can cause personal injury or property damage.
- Do not attempt to alter the unit in any manner, it is very dangerous.
- The gas governor and flexible rubber pipe must be according to National Rules in force and changed within the prescribed intervals, of each component.

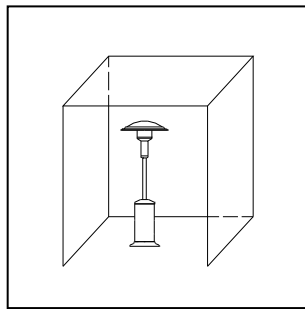
- Use only the type of gases and the LPG Gas Cylinder specified by the manufacturer (Butane, Propane or mix of them and specified supply pressure reported on point "B - Specification").
- In case of violent wind particular attention must be taken against tilting of the appliance.
- Check that the gas governor seal is fitted and that it is in good condition.
- All leak tests should be done with a soap solution. Never use an open flame to check for leaks!
- The whole gas circuit, flexible rubber pipe, gas governor, pilot and burner, should be inspected for leaks or damage before use and at least one time a month.
- Do not use the appliance until all connections have been leak tested.
- Do not paint the radiant screen, control panel or top canopy reflector.
- Turn off the gas tap immediately, if smell of gas is detected.
- Do not obstruct the ventilation holes of the LPG Gas Cylinder housing.
- Never transport or move the appliance while it is operating.
- Close the valve of the LPG Gas Cylinder, or gas governor one if any, all the time after use.
- Shut off the valve at the LPG Gas Cylinder or the gas governor before moving the appliance.
- Do not move the appliance after it has been turned off until the temperature has cooled down.
- Control compartment, burner and circulation air passageways of the appliance must be kept clean.
- Frequent cleaning may be required as necessary.
- The LPG Gas Cylinder valve should be turned off when the heater is not in use.

The gas governor/flexible rubber pipe assembly must be located out of pathways where people may trip over it or in area where the flexible rubber pipe will not be subjected to accidental damage.

- Any guard or other protective device removed for servicing the heater must be replaced before operating the appliance.
- Adults and children should stay away from high temperature surface to

avoid burns or clothing ignition.

- Children should be carefully supervised when they are in the area of the appliance.
- Clothing or other flammable materials should not be hung on the appliance or placed on or near the appliance.
- Keep the ventilation opening of the LPG Gas Cylinder housing free and clear of debris.
- Do not obstruct the ventilation holes of the LPG Gas Cylinder housing.
- For use outdoors and in well ventilated areas.
- A well ventilated area must have a minimum of 25% of the surface open area.
- The surface area is sum of the walls surface.



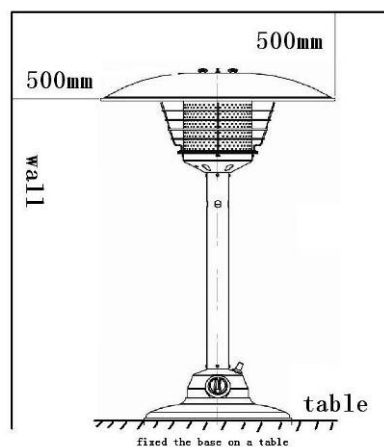
Attention!
Surface very hot.
Do not touch!!!!

In case of violent wind particular attention must be taken against tilting of the appliance.

- Turn off the appliance immediately if any of the following occurs:
 - 1 - The appliance does not reach temperature.
 - 2 - The burner makes popping noise during use (a slight noise is normal when the burner is extinguished).
- Smell of gas in conjunction with extreme yellow tipping of the burner flames.
- Keep the instructions for future references.

WARNING: Improper installation, adjustment, alteration, service or maintenance can cause injury or property damage. Read the installation, operating and maintenance instructions thoroughly before installing or servicing this appliance. If the user cannot read or fully understand the instruction manual, please contact your dealer. Supplier will not be responsible for user's negligence.

APPLIANCE STAND AND LOCATION



- The appliance is for outdoor use only. Do not use it for indoor or in an enclosed area. Always ensure that adequate fresh air ventilation is provided.
- Always maintain proper clearance from combustible materials, i.e. top 500 mm and sides 500 mm minimum.
- Appliance must be fixed on level firm table by nails. The table you used Can be fixed by nails, and the height of the table is not below 72cm.

- Never operate appliance in an explosive atmosphere like in areas where gasoline or other flammable liquids or vapors are stored.

Warning: “Be carefully, accessibly parts may be very hot, Keep away from young children” when you see “HOT” on the appliance.

GAS REQUIREMENTS

- The gas governor, flexible gas rubber pipe and clamps, are not supplied with this appliance; buy them according to National Rules in force and replace both taking into consideration expire date, warnings of this Instruction Manual and National Rules in force.
- Supply pressures to appliance:
 - ✧ Nominal inlet pressure is 28-30/37/50 mbar
 - ✧ Min inlet pressure: 20 mbar
 - ✧ Max inlet pressure is: 50 mbar
- Gases to be supply: Butane, Propane or mixture of them
- LPG Gas Cylinder size: 15 kg (maximum)
- Use gas governor approved according to Standard EN 12864, according to National Rules in force; make sure it is in good condition and substitute it not over 10 years, as properly.
- Check the flexible gas rubber pipe and other gas connections, at least once per month and each time the LPG Gas Cylinder is changed. If it shows signs of cracking, splitting or other deterioration, it shall be exchanged with a new flexible gas rubber pipe according to National Rules in force of same length (but not over 1,5 m) and of the equivalent quality.
- The installation must be done according to National Rules in force.
- A dented, rusted or damaged LPG Gas Cylinder, maybe hazardous and should be checked by your LPG Gas Cylinder supplier. Never use a LPG Gas Cylinder with a damaged valve connection.
- The LPG Gas Cylinder must be arranged to provide for vapor withdrawal from the operating cylinder.
- Never connect a LPG Gas Cylinder without a gas governor, to the appliance.
- Disconnect the LPG Gas Cylinder when the appliance is not use.

LEAKAGE TEST

Gas connections on the appliance are leak tested at the factory prior to shipment. Possible mishandling of the appliance during the shipment might contribute to product integrity as a whole. A complete gas leakage test must be performed again at the installation site. Please follow the procedure below for leakage test.

- Make a soap solution of one part liquid detergent and one part water. The soap solution can be applied with spray bottle, brush or rag. Soap bubbles will appear where a leak is present.
- Make sure the control tap is in the "OFF" position on the control panel.
- Turn on the gas supply and check for bubbles from the hoses and connections. Presence of bubble means that a leak path is present.
- If a leak is present, turn OFF the gas supply immediately, tighten any leaking fitting carefully, turn gas again and recheck.
- Never leak test while smoking.

OPERATION

TURN ON THE HEATER

1. Turn on the valve of the LPG Gas Cylinder completely.
2. Press and turn the control knob (counter-clockwise 90°) to position "PILOT"
3. Press down the control knob and hold for 30 seconds. While holding down the control knob, press the igniter button several times until the pilot flame alights. Keep to press in the way to give time to the thermocouple to keep open gas circuit (30 seconds). Release the control knob. If pilot does not keep alight, do the same procedure again.

Note:

- If a new LPG Gas Cylinder has just been connected, please allow at least one minute for the air in the gas pipeline to purge out through the pilot hole.
- When lighting the pilot flame make sure that the pilot light button is continuously pressed down while pressing the igniter button. Pilot light button can be released after the pilot flame lights.

- Pilot flame can be watched and checked from the small round window with sliding lid located at the bottom of the flame screen (to the left or right side of the controller).
 - If the pilot flame does not light or it goes out, repeat step 3.
4. After the pilot flame alights, turn the control knob from minimum position "LO" to maximum position "HI".

TURN OFF THE HEATER

1. Rotate the control knob to position "PILOT".
2. Press and turn the variable control knob to position "OFF".
3. Turn off the valve on the LPG Gas Cylinder completely.



The appliance is fitted with a special device that extinguishes immediately gas to the appliance, if the appliance is tilted more than 40°. After shut-off, do not touch burner assembly until appliance has cooled (not before 45 minutes after shut-off).

STORAGE

- Always close the gas valve of the LPG Gas Cylinder, after use or in case of a disturbance.
- Remove the pressure controller and the hose.
- Check the tightness of the gas valve and for damage. If you suspect damage, have it changed by your gas dealer.
- Never store LPG Gas Cylinder in a sub-terrain, or at places without

adequate air ventilation.

CLEANING AND CARE

- Wipe off exterior surfaces with soft, moist rag and soap water. Do not clean heater with cleaners that are combustible or corrosive.
- Remove debris, spider and insect nests from ventilation opening of the LPG Gas Cylinder enclosure, control compartment, burner and circulation air passageways of the appliance with heavy-duty pipe cleaner or compressed air to keep appliance clean and safe for use. Never clear ports or other openings with toothpicks or other article that will break and block the ports.
- Do not paint the flame screen, control panel or reflector.
- Cover the burner unit with the supplied protective cover when the heater is not in use. Wait until the appliance is cool before covering.
- In a salt-air environment, such as near an ocean, corrosion occurs more quickly than normal. Check frequently for corroded areas and repair them promptly.

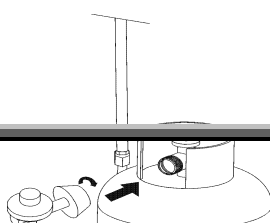
Connecting gas line to LPG Gas Cylinder

CAUTION: The gas governor, flexible rubber pipe and clamps are not supplied with this appliance and must be used proper ones, according to National Rules in force.

The gas governor has to be set for 28-30/37/50 mbar.

Connect appliance pipe holder with proper flexible gas rubber pipe and fix it using proper clamps. If some gasket is needed, it must be according to Standard EN 549. If other material to guarantee tightness could be used, they must be in line with Standard EN 751 only.

Check the gas tightness with soap water each time you connect the pipe according to "Leakage Test".



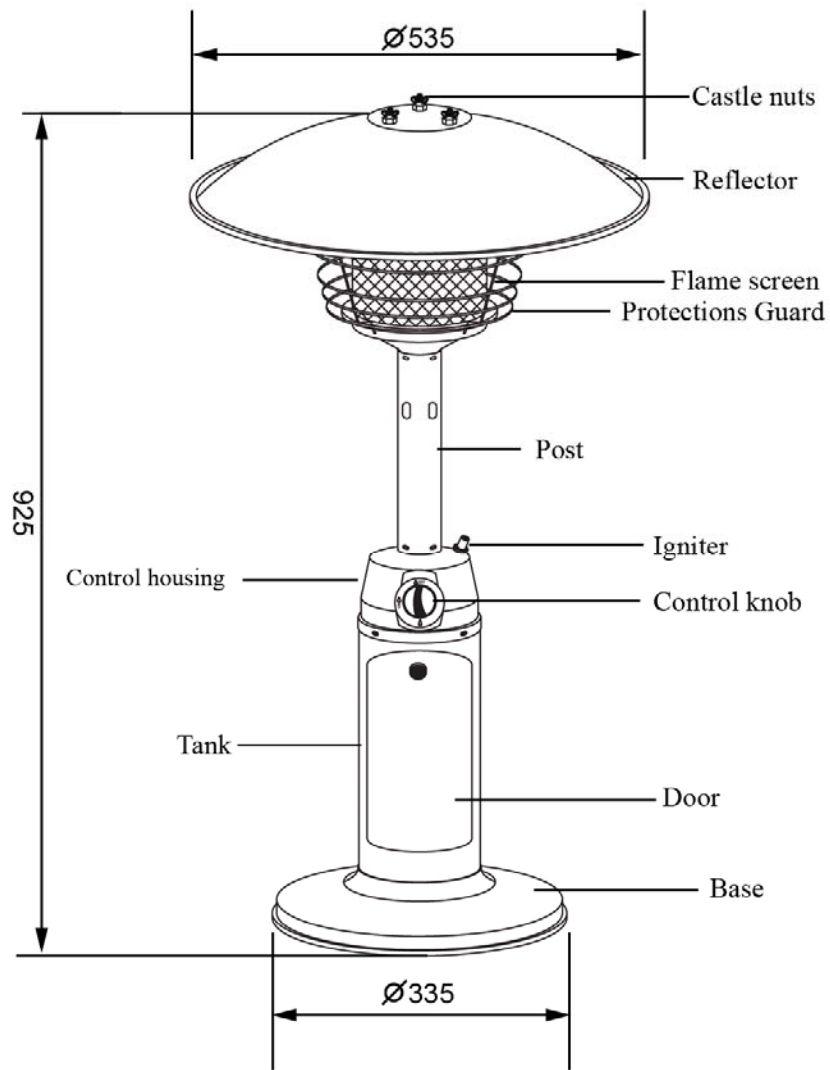
Warning:

Change the LPG Gas Cylinder only in a well ventilated area, away from any inflammation source (candle, cigarettes, other flame producing appliances...).

Check that gas governor sealed and that it is in good condition.

Checking the tubing or the rubber hose at least once per month and each time cylinder is changed. If shows signs of cracking, splitting or other deterioration it shall be exchanged for new hose of the same length and of the equivalent quality.

PARTS TECHNICAL AND SPECIFICATIONS



A - Construction and characteristics

- Transportable terrace/garden heater with LPG Gas Cylinder housing.
- Casing in steel with powder-coating or stainless steel.
- Proper gas inlet connection for different countries.
- Stainless steel flame screen.
- Heat emission from reflector.

B - Specifications

- For outdoor use only.
- Uses propane, butane or mixture of them.

Models	Gas categories	Pressure (mbar)	Country/ies of destination	Qn (Hs)		Maximum consumption (g/h)
				Nominal Heat input	Reduced Heat input	
PH01-S-PC	I3+	G30: 28-30 mbar G31: 37 mbar	BE - CH - ES - FR - GB - GR - IE - IT - PT - LU - PL	3kW 3 kW	1.4kW 1.4kW	(G30) (G31)
	I3B/P	G30/G31: 30 mbar	<u>CY - CZ -</u> <u>DK - EE -</u> <u>FI - LT - LV</u> <u>- MT - NL -</u> <u>NO - SE -</u> <u>SI - SK -</u> <u>BG - RO -</u> <u>TR</u>	3Kw 3 kW	1.4kW 1.4kW	(G30)
	I3P(50) I3B/P(50))	G30/G31:50mbar	<u>AT - DE</u>	3kW	1.4KW W	(G50)

Weight:

Metal powder coating 8.5 kg (check after introduce the concrete piece in the basement)

Stainless steel: 8 kg (model PH01-SS-PA)

Height: 950 mm

C - Table of injectors

<i>Gas Category</i>	<i>Usable gases</i>	<i>Gas Adjustment</i>	Injector	By-pass	Pilot
I3+	<i>G30/G31</i>	28-30/37 mbar	1 (100/mm)	120 (100/mm)	18 (100/mm)
I3B/P		30/30 mbar			
I3B/P(50) I3P(50)		50/50mbar			

ASSEMBLY PARTS

Tools needed:

- Screwdriver wide/medium blade
- Spray bottle of soap solution for leakage test

Parts supplied:

- Open end wrench 8 & 10 mm
- Reflector Ø535mm , W/3 pcs Ø6mm washers, and 3pcs M6 castle nuts.
- 3 pcs M8x60mm steel pipes
- Stainless flame screen w/ 4 pcs 3/16" bolts
- Post with burner assembly
- Tank
- Door
- Guard
- Base with 4 pcs M6X20 mm bolts

ASSEMBLY

STEP 1



1-1. Take out all the parts of the tabletop Heater.
1-2. Aim the cast iron at the holes on the base.

STEP 2



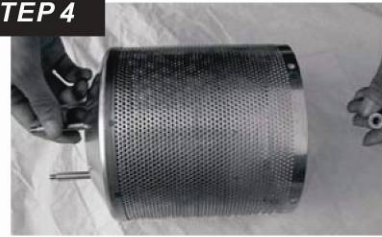
2-1. Use 4pcs M6X15mm bolts to fix the tank housing to the base & cast iron.
2-2. Tighten the bolts as above show.

STEP 3



3-1. Put the burner on the tank housing then fix them with 4pcs 3/16" bolts.

STEP 4



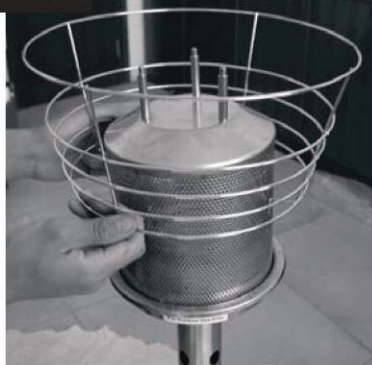
4-1. Fix 3pcs pins of 60mm length to the emitter screen with 3pcs M6 flange nuts then tighten them.

STEP 5



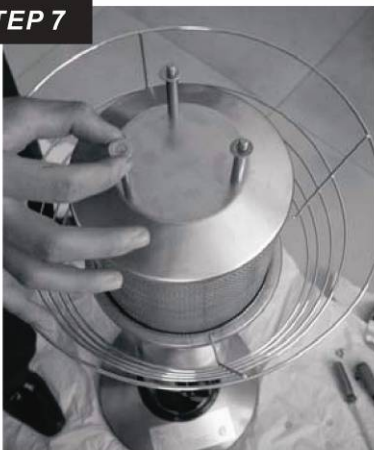
5-1. Put the emitter screen on the burner.
5-2. Use 4pcs 3/16" bolts to connect the emitter screen to the burner. Tighten the bolts.

STEP 6



6-1. Put the guard on the burner through the emitter screen.
6-2. Put the ends of the guard into the holes of the burner.

STEP 7



7-1. Put 3pcs washers on each pins of the 60mm length.

STEP 8



8-1. Put the reflector through the pins and on the washers.

STEP 9



9-1. Fasten the reflector with 3pcs M6 Castle nuts.

STEP 10



10-1. Close the door plate and lock it with the handle (rotate the handle 90 degree).

PROBLEMS CHECK LIST

<i>PROBLEM</i>	<i>PROBABLE CAUSE</i>	<i>SOLUTION</i>
Pilot does not alight	Gas valve maybe is OFF LPG Gas Cylinder is empty Opening air blocked Air in supply system Loose connections Low gas pressure	Press and turn the gas tap in ON Refill LPG Gas Cylinder Clean or replace openings Purge air from lines by pressing the control knob until you smell gas Check all fittings Replace LPG Gas Cylinder with a new one
Pilot will not keep alight	Debris around pilot Loose connections Thermocouple does not work Gas leak in line Lack of fuel pressure	Clean dirty areas Tighten connections Replace thermocouple Check connections LPG Gas Cylinder almost empty. Refill LPG Gas Cylinder
Burner does not alight	Pressure is low Openings blocked Control is not ON Thermocouple bad Pilot light assembly bent Not in correct location	LPG Gas Cylinder almost empty. Refill LPG Gas Cylinder Remove and clean openings Turn tap to ON position Replace thermocouple Place pilot properly Position properly and try again
Burner flame is low	Supply hose is bent or twisted	Straighten hose and perform leak test on hose
Emitter glows uneven	Low gas pressure Base is not on a level surface	Replace LPG Gas Cylinder with a new one Place heater on a level surface
Thick black smoke	Blockage in burner	Turn off the heater and let it cool. Remove blockage and clear burner inside and outside
Carbon deposit build-up	Dirt or film on reflector and flame screen	Clean reflector and flame screen

BORDSVÄRMARE
BRUKSANVISNING



*ENDAST FÖR
UTOMHUSBRUK.*



Läs denna instruktion innan installation och användning.
Spara denna bruksanvisning för senare bruk.

Innehållsförteckning	Sida
Säkerhetsföreskrifter	2 - 5
Placering	5
Gasolkrav	5
Läckagetest	6
Användning	6
Förvaring	7
Rengöring och underhåll	8
Anslutning av gasoltub	8
Delar och teknisk specifikation	10
Montering av värmaren	12
Monteringsanvisning	13
Felsökning	16

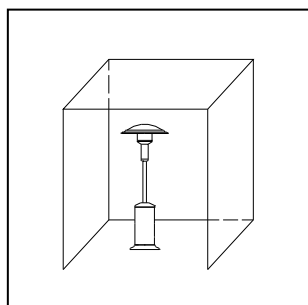
OBS! Denna värmare får endast användas med gasol med ett tryck av 30 mbar.

Använd ingen annan typ av gasol/gas

VARNING!

LÄS NOGA IGENOM FÖLJANDE SÄKERHETSFÖRESKRIFT FÖRE ANVÄNDNING

- Användning i slutna utrymmen är livsfarligt och förbjudet.
- Värmaren måste installeras i enlighet med bifogade instruktioner.
- Förvara inte denna utrustning i närheten av brännbara vätskor.
- Reparationer får endast utföras av auktoriserade verkstäder.
- Felaktig installation eller ändring av produkten kan orsaka person- och egendomsskador.
- Kontrollera att reduceringsventilens membran/packning är i gott skick vid anslutning till gasoltuben.
- Utför läckagetest varje gång gasoltuben byts ut. Använd läckagespray eller såpvatten för att kontrollera samtliga anslutningar. Tillse att det ej finns öppen eld i närheten eller risk för gnistbildning!
- Använd inte värmaren innan samtliga anslutningar har läckagetestats.
- Värmaren får ej målas.
- Stäng omedelbart ventilen på gasoltuben om gaslukt känns.
- Ventilationshålen på utrymmet för gasoltuben samt brännaren får inte täckas över.
- Flytta inte värmaren under drift.
- Stäng av värmaren, låt den svalna och stäng ventilen på tuben före flytt av värmaren
- Då värmaren inte är i bruk skall gasoltubens ventil vara stängd.
- Regelbunden rengöring skall utföras om så behövs.
- Gasoltubens ventil skall stängas av när värmaren inte används.
- Gasoltub, regulator och slang skall placeras så att de inte utgör fara för förbipasserande. Slangen kan orsaka fallolyckor om utrustningen placeras fel.
- Skydd och annat som demonterats i samband med service och underhåll på utrustningen måste återmonteras innan utrustningen åter tas i bruk.
- Tillräckligt avstånd skall hållas till varma ytor på värmaren för att undvika brännskador och antändning av kläder.
- Särskild uppsikt skall hållas på barn som vistas i närheten av värmaren.
- Kläder och andra brännbara material får inte hängas över eller läggas i närheten av värmaren då den är i drift.
- Håll ventilationsöppningarna rena och fria från skräp.
- Täck inte över ventilationshålen på värmaren.
- Får endast använda utomhus och i väl ventilerade utrymmen.



**Observera!
Varm yta.
Rör inte!**

I händelse av kraftig vind måste speciell försiktighet iakttas för att inte värmaren skall välta.

Stäng av värmaren omedelbart om något av följande inträffar:

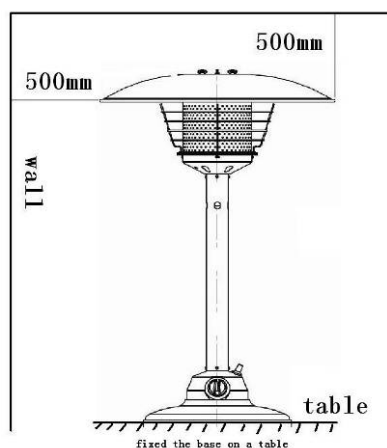
- Värmaren kommer inte upp i temperatur.
- Värmaren ger ifrån sig ett poppande ljud under användning (ett mindre ljud är normalt när värmaren just har slocknat).

WARNING: Felaktig installation, modifieringar, service eller dåligt underhåll kan orsaka person och egendomsskador. Läs installations- och bruksanvisningen noga före installation eller service på utrustningen. Om innehållet i anvisningarna är svårförståeligt, kontakta din leverantör. Leverantören är inte ansvarig för användares vårdslöshet.

PLACERING AV VÄRMAREN

- Värmaren är endast avsedd för utomhusbruk. Den får inte användas inomhus eller i andra slutna utrymmen. Sörj för god ventilation.
- Minsta avstånd från brännbart material är 50cm, uppåt och sidorna.
- Minimum bordshöjd 72 cm.
- Värmaren får aldrig användas i närheten av brännbara vätskor.

Varning: "Vissa delar av värmaren kan vara mycket varma. Håll uppsikt över barn i närheten av värmaren."



GASOLKRAV

Matningstryck för värmaren:	Nominellt tryck: 28-30/37/50 mbar Minimum tryck: 20 mbar Maximum tryck: 50 mbar
Gas som kan användas: (gasol)	Butan, Propan eller en mix av dessa
Maximal storlek på gasoltub:	15kg

- Använd en godkänd regulator enligt Standard EN 12864, vilken bör bytas ut efter max. 10 år.
- Kontrollera slangen och anslutningarna minst en gång per månad och varje gång gasoltuben byts ut. Uppvisar slangen sprickor eller andra slitageskador skall den bytas ut mot en ny av godkänd kvalitet. Längden på slangen får inte överstiga 1,5 m.
- Installationen måste göras enligt denna beskrivning.
- En skadad och rostig gasoltub kan vara farlig att använda och skall kontrolleras av din gasolleverantör. Använd aldrig en gasoltub med skadad ventilanslutning.
- Anslut aldrig gasoltuben utan regulator.
- Koppla loss gasoltuben när värmaren ej är i bruk.

LÄCKAGETEST

Gasolanslutningar på värmaren har läckagetestats på fabrik före utleverans. Under transport kan skador ha uppkommit vilket gör att ett komplett läckagetest måste utföras på installationsplatsen innan värmaren tas i bruk.

Följ följande procedur för läckagetest:

- Gör en såpvattenlösning på 50 % såpa och 50 % vatten. Såpvattenlösningen kan appliceras med sprayflaska, borste eller svamp. Bubblor kommer att uppträda där läckage finns.
- Tillse att vredet är i läge "OFF" på manöverpanelen.
- Slå på gastillförseln och kontrollera eventuella bubblor från slangen och anslutningar. Uppträder bubblor är detta ett läckage och måste åtgärdas.
- Om läckage upptäcks, stäng omedelbart av gastillförseln, täta alla läckor och utför läckagetest igen.
- Utför aldrig läckagetest i samband med rökning.

ANVÄNDNING

START AV VÄRMAREN

- Öppna ventilen på gasoltuben.
- Tryck och vrid manöverpanelens vred till läge "PILOT" (moturs 90°)
- Tryck in vredet och håll det intryckt i 30 sekunder. Med vredet intryckt, tryck på tändningsknappen upprepade gånger tills pilotlågan tänds. Håll vredet fortsatt intryckt för att ge termoelementet möjlighet att själv hålla en öppen gastillförsel (c:a 30 sekunder) Släpp vredet. Om pilotlågan skulle slockna, gör om proceduren.

OBS!

- När en ny gasoltub anslutits behöver slangen och brännaren fyllas med gas innan värmaren tänds. Vänta därför någon minut innan pilotlågan tänds.
- För att tända pilotlågan, håll vredet intryckt, vrid till läge "Pilot" och tryck på tändningsknappen. Släpp knappen när lågan tänts.
- Pilotlågan kan kontrolleras genom ett runt fönster med skjutlucka till vänster om reglaget.
- Om lågan inte skulle tändas, repetera steg 2.

När lågan tänts justeras effekten med reglaget och markeringarna "LO" för låg och "HI" för hög.

AVSTÄNGNING AV VÄRMAREN

- Vrid vredet till läge "Pilot".
- Tryck in och vrid till läge "OFF".
- Stäng av ventilen på gasoltuben.



Gasen till värmaren stängs automatisk av om värmaren lutar mer än 40°. Efter avstängning, rör inte värmaren innan den svalnat (efter c:a 45 minuter).

Förvaring

- Stäng alltid gasventilen på gasolflaskan efteranvändning eller i händelse av driftstörningar.
- Ta bort tryckregulatorn och slangen.
- Kontrollera anslutningarna av tryckregulatorn och slangen samt kontrollera att inga skador uppkommit. Vid misstänkt skada, låt en auktoriserad verkstad se över utrustningen.
- Lagra aldrig gasoltuben i källare eller andra utrymmen under marknivå. Sörj för god ventilation.

RENGÖRING OCH VÅRD

- Torka av med en fuktig trasa och såpvatten. Använd inte rengöringsmedel som är brandfarliga eller frätande.
- Ta bort insekter och annat skräp från ventilationsöppningarna på gasflaskutrymmet, brännare och luftkanaler med att blåsa rent med t.ex. tryckluft. Använd inte tandpetare eller annat som kan riskera att gå sönder och blockera lufttillförseln.
- Måla inte flamskärmen, manövervred eller reflektor.
- Täck värmaren med det medlevererade skyddet när värmaren inte används. Vänta tills den svalnat innan den täcks.
- I en salt miljö, t.ex. nära havet, är korrosion (rost) vanligare än normalt. Kontrollera med jämna mellanrum att korrosion inte uppkommit och reparera omedelbart om så skulle ha skett

INKOPPLING AV SLANGEN TILL GASOLTUBEN

Vid den händelse att regulator och slang inte levererats med värmaren, skall godkänd gasolslang, 8mm, användas samt regulator för 30mbars tryck. Kontrollera täthet med såpvatten eller läckagespray enligt "Läckagetest" ovan.

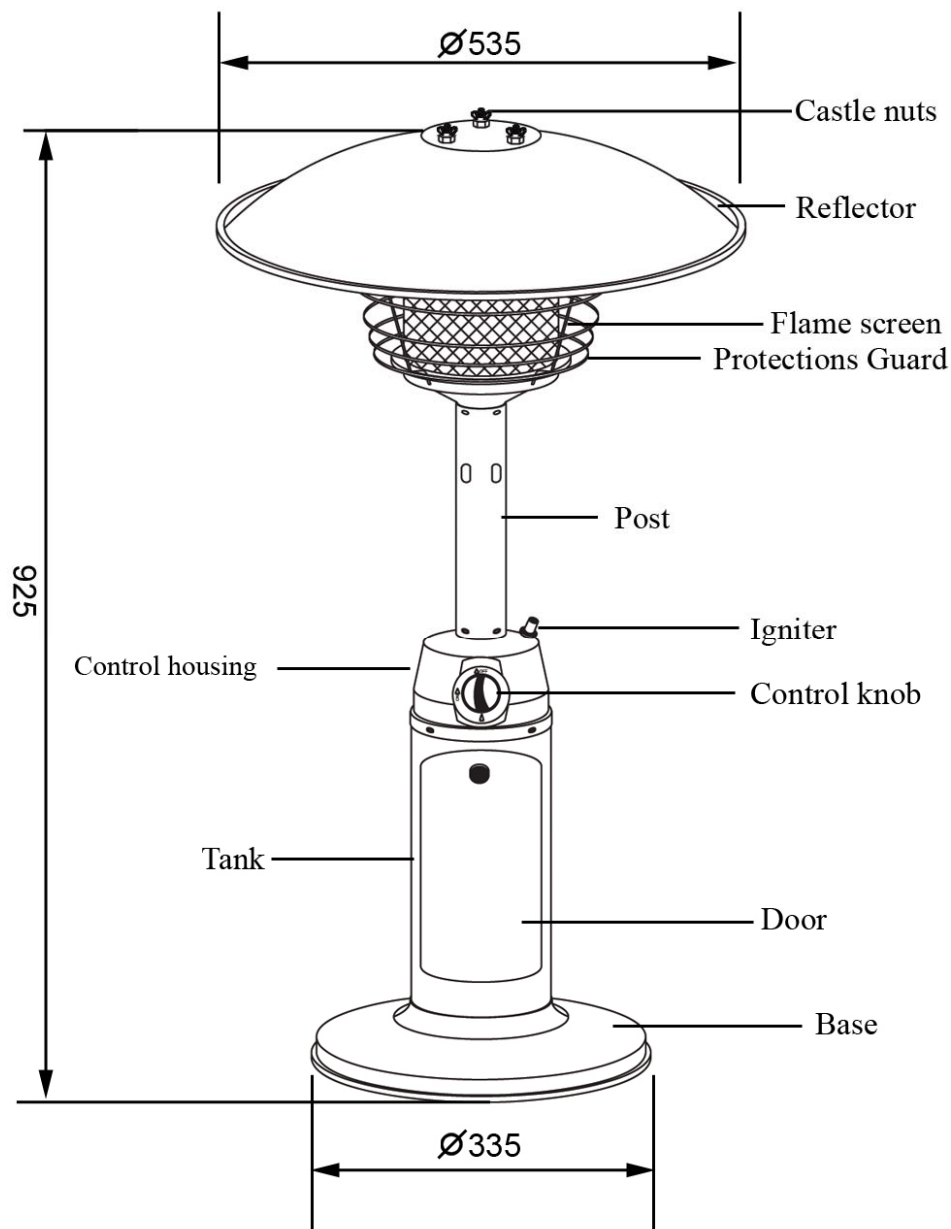
Varning:

Sörj för god luftväxling vid byte av gasoltub samt tillse att eld eller gnistbildande materiel inte finns i närheten (levande ljus, cigaretter eller annan flamproducerande materiel)

Kontrollera samtliga gasolanslutningar.

Kontrollera gasolslangen minst en gång i månaden och när gasoltuben byts ut. Vid tecken på sprickbildning på slangen, byt ut den omedelbart till slang av godkänd kvalitet.

INGÅENDE DELAR OCH SPECIFIKATIONER



A - Kontraktion och egenskaper

- Portabel bordsvärmare med **gasoltubsbehållare**.
- Hölje i stål med svart pulverlack eller rostfritt stål.
- Gasanslutningar för godkänd anslutning i olika länder.
- Flamskärm i rostfritt stål.
- Värmeutsläpp via reflektor.

B - Specifikationer

- Endast för utomhusbruk.
- Används med propan, butan eller en mix av dessa (gasol).
-

Modeller	Gas kategorier		Tryck (mbar)	Aktuella länder:	Qn (Hs)		Max gas- konsum- tion (g/h)
					Nomi- nell värm- e- effek- t	Redu- cera- d värm- e- effek- t	
PH01-S- PC	I3+	Prop- an Buta- n eller en mix av dess a (gaso- l)	G30: 28-30 mbar G31: 37 mbar	<i>BE - CH - ES - FR - GB - GR - IE - IT - PT - LU - PL</i>	3kW 3 kW	1.4k W 1.4k W	(G30) (G31)
PH01-SS- PC			I3B/P	G30/G31: 30 mbar	<u>CY - CZ - DK - EE - FI - LT - LV - MT - NL - NO - SE - SI - SK - BG - RO - TR</u>	3 kW 3 kW	1.4k W 1.4k W
	I3P(50) I3B/P(50)		G30/G31:5 Ombar	<u>AT - DE</u>	3kW	1.4K W	(G50)

Vikt: Svartlackerad värmare 8.5 kg
Rostfritt stål: 8 kg (modell PH01-SS-PA)
Höjd: 950mm

C - Förteckning över brännare

<i>Gaskategori</i>	<i>Användbara gaser</i>	<i>Gastryck</i>	Injektor	By-pass	Pilot
I3+	<i>G30/G31</i>	28-30/37 mbar	1 (100/mm)	120 (100/mm)	18 (100/mm)
I3B/P		30/30 mbar			
I3B/P(50) I3P(50)		50/50mbar			

INGÅENDE DELAR

Verktyg som behövs:

- Skruvmejsel med brett/medium brett blad.
- Sprayflaska med såpvatten eller läckagespray.

Delar som ingår i leveransen:

- Öppen nyckel 8 & 10 mm.
- Reflektor Ø 535mm, 3 st Ø 6mm brickor och 3 st M6 kupolmuttrar.
- 3st M8x60mm gängade stålpinnar.
- Rostfri flamskärm med 4 st 3/16" skruvar.
- Stolpe med monterade brännare.
- Dörr.
- Motvikt.
- Bordsplatta med 4 st M6x20mm-skruvar.

ASSEMBLY

STEP 1



1-1. Take out all the parts of the tabletop Heater.
1-2. Aim the cast iron at the holes on the base.

STEP 2



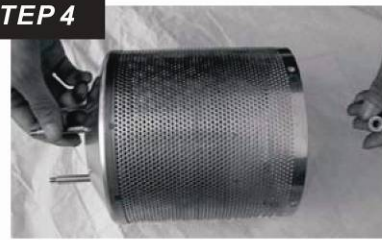
2-1. Use 4pcs M6X15mm bolts to fix the tank housing to the base & cast iron.
2-2. Tighten the bolts as above show.

STEP 3



3-1. Put the burner on the tank housing then fix them with 4pcs 3/16" bolts.

STEP 4



4-1. Fix 3pcs pins of 60mm length to the emitter screen with 3pcs M6 flange nuts then tighten them.

STEP 5



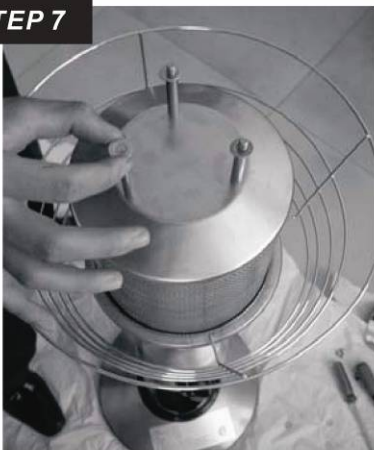
5-1. Put the emitter screen on the burner.
5-2. Use 4pcs 3/16" bolts to connect the emitter screen to the burner. Tighten the bolts.

STEP 6



6-1. Put the guard on the burner through the emitter screen.
6-2. Put the ends of the guard into the holes of the burner.

STEP 7



7-1. Put 3pcs washers on each pins of the 60mm length.

STEP 8



8-1. Put the reflector through the pins and on the washers.

STEP 9



9-1. Fasten the reflector with 3pcs M6 Castle nuts.

STEP 10



10-1. Close the door plate and lock it with the handle (rotate the handle 90 degree).

FELSÖKNING

<i>PROBLEM</i>	<i>TROLIG ORSAK</i>	LÖSNING
Pilotlågan tändes inte	Gasolventilen är inte öppen. Gasoltuben är tom. Lufttillförseln är blockerad. Luft i gasolsystemet. Lös anslutningar. Lågt gasoltryck.	Öppna gasolventilen. Byt ut gasoltuben mot en fylld. Rengör luftkanalerna Rensa ut luften ur systemet genom att trycka in vredet tills gasluktkänns. Kontrollera alla anslutningar. Byt gasoltub mot en ny.
Pilotlågan tänds men slocknar igen	Skräp i eller runt pilotlågans munstycke. Lös anslutningar. Termoelementet fungerar inte. Gasläckage runt slangen. Lågt gastryck.	Rengör smutsiga områden. Skruva åt samtliga anslutningar. Byt ut termoelementet. Kontrollera anslutningarna. Gasoltuben nästan tom. Byt tuben mot en fylld.
Brännaren tändes inte	Lågt gastryck. Ventilationen blockerad. Manövern vredet är inte i läge "ON". Termoelementet trasigt. Pilotlågans munstycke böjt. Ej i rätt läge	Gasoltuben nästan tom. Byt tuben mot en fylld. Rengör ventilationsöppningarna. Ställ vredet i läge "ON". Byt ut termoelementet. Böj tillbaka till rätt läge. Flytta till rätt läge och försök igen.
Brännaren brinner men med liten låga	Gasolslangen är vikt eller vriden	Räta ut slangen och utför läckagetest på slangen
Emitter glöder ojämnt	Lågt gastryck Värmaren står inte plant.	Byt gasoltub mot en ny Placera värmaren plant.
Tjock svart rök	Brännaren är blockerad	Stäng av värmaren och låt den svalna. Ta bort det som blockerar och rengör brännaren ut- och invändigt.
Sotpåbyggnad	Smuts på reflektorn och flamskärmen.	Rengör reflektorn och flamskärmen

TERASSILÄMMITIN
KÄYTTÖOHJE

VAROITUS: VAIN ULKOKÄYTTÖÖN



Lue ohjeet ennen laitteen asennusta ja käyttöä!
myöhempää käyttöä varten!

Säilytä käyttöohje

"Nämä ohjeet ovat voimassa vain maissa, joiden tunnus on käyttöohjeessa ja laitteessa"

SISÄLLYSLUETTELO	Katso sivulta
Turvaohjeet	3, 4, 5 ja 6
Laitteen alusta ja sijainti	5
Kaasuvaatimukset	5
Vuototesti	6
Toiminta	7
Säilytys	8
Puhdistus ja huolto	8
Kaasuletkun liittämisen nestekaasupulloon	9
Osat ja tekniset tiedot	10
Kokoonpanon osat	12
Kokoaminen	13
Vianetsintätaulukko	16

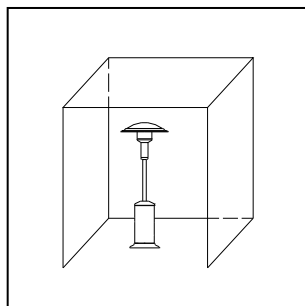
Huomio: Tämä laite on säädetty toimimaan kaasuilla C30 ja G31 (butaani ja propaani) tai niiden seoksella ja 28-30/37/50 millibaarin paineella. Älä käytä muita kaasutyyppejä!

TURVAOHJEET

LUE SEURAAVAT TURVAOHJEET HUOLELLISESTI LÄPI ENNEN KÄYTTÖÄ

- Tämän laitteen käyttö suljetuissa tiloissa voi olla vaarallista ja on KIELLETTYÄ.
- Laite tulee asentaa ohjeiden ja voimassa olevien kansallisten määräysten mukaisesti.
- Älä säilytä tai käytä bensiiniä tai muita tulenarkoja kaasuja tai nesteitä samassa tilassa missä laite on.
- Asennuksen ja korjauksen saa tehdä vain pätevä huoltomies.
- Tämä laite tulee asentaa voimassa olevien kansallisten määräysten mukaisesti. Laitteen kotelossa pidettävän nestekaasupullon tulee olla oikean muotoinen ja kansallisten määräysten mukainen.
- Virheellinen asennus tai säätö tai laitteeseen tehty muutos voivat aiheuttaa henkilö- tai omaisuusvahingon.
- Älä tee mitään muutoksia laitteeseen, se on erittäin vaarallista.
- Kaasunsäätimen ja kaasuletkun tulee olla voimassa olevien kansallisten määräysten mukaisia ja ne tulee vaihtaa niille määrätyn aikavälein.
- Käytä vain valmistajan määrittelemiä kaasutyyppisiä ja nestekaasupulloja (butaani, propani tai niiden seos ja kohdassa "B – Tekniset tiedot" määritelty syöttöpaine).
- Kovalla tuulella tulee kiinnittää erityistä huomiota laitteen kallistumisen estämiseen.
- Tarkista, että kaasunsäätimen tiiviste on paikoillaan ja hyvässä kunnossa.
- Kaikki vuototestit tulee tehdä saippualliuoksella. Älä koskaan käytä avotulta vuotojen tarkistamiseen!
- Kaasun koko virtausreitti – kaasuletku, kaasunsäädin, sytytyspoltin ja poltin – tulee tarkistaa vuotojen ja vaurioiden varalta ennen laitteen käyttöä ja vähintään kerran kuussa.
- Älä käytä laitetta ennen kuin kaikki liitokset on tarkistettu vuotojen varalta.
- Älä maalaa liekkiverkkoa, säädinkoteloä tai lämmönheijastinta.
- Sulje kaasu välittömästi, jos haistat kaasun.

- Älä tuki nestekaasupullon kotelon tuuletusaukkoja.
- Älä koskaan kuljeta tai siirrä laitetta sen ollessa päällä.
- Sulje aina käytön jälkeen nestekaasupullon venttiili tai kaasunsäädin.
- Sulje nestekaasupullon venttiili tai kaasunsäädin ennen laitteen siirtämistä.
- Älä siirrä laitetta sen sammuttamisen jälkeen ennen kuin se on jäähtynyt.
- Laitteen säädinkotelo, poltin ja ilma-aukot tulee pitää puhtaina.
- Puhdista laite säännöllisesti ja tarpeen mukaan.
- Nestekaasupullon venttiilin tulee olla kiinni, kun lämmitin ei ole käytössä.
- Kaasunsäätimen ja -letkun yhdistelmää ei saa jättää kulkureiteille, joissa ihmiset voivat kompastua siihen tai paikkaan, jossa kaasuletku voi vaurioitua vahingossa.
- Kaikki lämmittimen huollon vuoksi poistetut suojukset tai muut suojalaitteet tulee laittaa takaisin paikoilleen ennen laitteen käyttöä.
- Aikuisten ja lapsien tulee pysyä etäällä laitteen kuumista pinnoista palovammojen ja vaatteiden syttymisen välttämiseksi.
- Lapsia tulee valvoa hyvin, kun he ovat laitteen lähistöllä.
- Vaatteita tai muita syttyviä materiaaleja ei saa ripustaa laitteeseen tai laittaa sen päälle tai lähelle.
- Pidä nestekaasupullon kotelon tuuletusaukot avoimina ja puhtaina.
- Älä tuki nestekaasupullon kotelon tuuletusaukkoja.
- Laite on tarkoitettu käytettäväksi vain ulkona ja hyvin tuuletetuilla alueilla.
- Hyvin tuuletetun alueen pinta-alasta vähintään 25 % pitää olla avointa.
- Pinta-ala tarkoittaa seinien yhteenlaskettua pinta-alaa.



Huomio!
Pinnat ovat erittäin kuumia.
Älä koske niihin!!!!

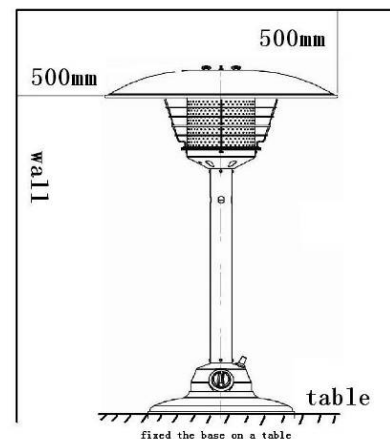
- Kovalla tuulella tulee kiinnittää erityistä huomiota laitteen kallistumisen estämiseen.
- Sammuta laite välittömästi, jos tapahtuu jokin seuraavista:
 - 1 - Laite ei lämpiä.

- 2 - Poltin paukahtelee käytön aikana (pieni ääntely on normaalia polttimen sammuttamisen jälkeen).
- Kaasu haisee ja polttimen liekeissä on ylipitkiä keltaisia kärkiä.
- Säilytä käyttöohje myöhempää käyttöä varten.

VAROITUS: Laitteen virheellinen asennus tai säätö, puutteellinen huolto tai kunnossapito tai laitteeseen tehty muutos voivat aiheuttaa henkilö- tai omaisuusvahingon. Lue asennus-, käyttö- ja huolto-ohjeet huolellisesti läpi ennen laitteen asennusta tai huoltoa. Jos käyttäjä ei osaa lukea tai ei ymmärrä käyttöohjetta täydellisesti, ota yhteyttä myyjäsi. Myyjä ei ole vastuussa käyttäjän huolimattomuudesta.

LAITTEEN ALUSTA JA SIJAINTI

- Laite on tarkoitettu vain ulkokäyttöön. Älä käytä sitä sisällä tai suljetussa tilassa. Varmista aina riittävä ilmanvaihto raittiilla ilmalla.
- Pidä aina riittävä etäisyys palaviin materiaaleihin, eli vähintään 500 mm yläpuolella ja 500 mm sivuilla.
- Laite tulee kiinnittää vaakasuoraan tukevaan alustaan. Käytettävä alusta voidaan kiinnittää paikoilleen nautoilla tms. ja sen korkeuden tulee olla vähintään 72 cm.
- Älä koskaan käytä laitetta räjähdysalttiissa ympäristöissä, kuten alueilla, joissa säilytetään bensiiniä tai muita tulenarkoja nestemäisiä tai kaasumaisia aineita.



Varoitus: “Ole huolellinen, käsiksi päästävät osat saattavat olla erittäin kuumia. Pidä pikkulapset loitolla laitteen ollessa kuuma.

KAASUVAATIMUKSET

- Hanki voimassa olevien kansallisten määräysten mukainen kaasunsäädin ja taipuisa kuminen kaasuletku ja letkunkiristimet, koska ne eivät tule laitteen mukana. Uusi ne niiden käyttöiän, tämän käyttöohjeen varoitusten ja voimassa olevien kansallisten määräysten mukaisesti.
- Syöttöpaineet laitteeseen:
 - ✧ Nimellispaine: 28-30/37/50 mbar
 - ✧ Minimipaine: 20 mbar
 - ✧ Maksimipaine: 50 mbar
- Käytettävät kaasut: Butaani, propaani tai niiden seos
- Nestekaasupullon koko: 15 kg (enintään)
- Käytä standardin EN 12864 mukaista kaasunsäädintä voimassa olevien kansallisten määräysten mukaisesti; varmista, että se on hyvässä kunnossa ja vaihda se vähintään 10 vuoden välein.
- Tarkista kaasuletku ja kaikki kaasuliitokset vähintään kerran kuussa ja aina nestekaasupullon vaihdon yhteydessä. Jos letkussa on murtumia, halkeamia tai muita kulumia, vaihda tilalle uusi samanpituinen (mutta ei yli 1,5 m) ja samanlaatuinen taipuisa kuminen kaasuletku voimassa olevien kansallisten määräysten mukaisesti.
- Asennus tulee tehdä voimassa olevien kansallisten määräysten mukaisesti.
- Lommainen, ruostunut tai vaurioitunut nestekaasupullo voi olla vaarallinen ja se tulee tarkastuttaa kaasupullon myyjällä. Älä koskaan käytä nestekaasupulloa, jonka venttiilin liitettä on vaurioitunut.
- Nestekaasupullostsa tulevan polttoaineen pitää olla kaasumaista.
- Älä koskaan liitä nestekaasupulloa laitteeseen ilman kaasunsäädintä.
- Kytke nestekaasupullo irti laitteesta, kun laite ei ole käytössä.

VUOTOTESTI

Laiteen kaasuliitokset on vuototestattu tehtaalla ennen toimitusta. Mahdollinen laitteen huono käsittely kuljetuksen aikana saattaa vaikuttaa laitekokonaisuuden kuntoon. Täydellinen vuototesti tulee tehdä uudelleen asennuspaikalla. Tee vuototesti alla olevalla tavalla.

- Tee saippualliuos, jossa on yksi osa nestemäistä pesuainetta ja yksi osa vettä. Saippualliuos voidaan suihkuttaa sumutinpullolla tai sivellä harjalla tai rätillä. Vuotokohtiin tulee saippuakuplia.
- Varmista, että säädinkotelon säätöhana on "OFF"-asennossa.
- Laita kaasunsyöttö päälle ja tarkista, näkyykö letkuissa ja liitoksissa kuplia. Kuplat tarkoittavat vuotoa.
- Sulje kaasunsyöttö välittömästi vuodon ilmetessä ja kiristä kaikki vuotavat liitokset hyvin. Avaa sitten kaasunsyöttö ja tarkista uudelleen.
- Älä koskaan tee vuototestiä tupakoidessasi.

TOIMINTA

LÄMMITTIMEN SYTYTYYS

5. Avaa nestekaasupullon venttiili kokonaan.
 6. Paina säädintä ja käännä sitä vastapäivään 90 astetta asentoon "PILOT".
 7. Paina säädin alas ja pidä sitä alhaalla 30 sekuntia. Pidä säädintä alhaalla ja paina sytytysnappia useita kertoja, kunnes sytytysliekki syttyy. Pidä säädintä alhaalla 30 sekuntia, jotta termopari ehtii lämmetä ja alkaa pitää kaasunvirtausta auki. Vapauta säädin. Jos sytytysliekki sammuu, tee samat toimenpiteet uudestaan.
- Jos uusi nestekaasupullo on juuri kytketty, odota ainakin minuutti, jotta kaasuletkussa oleva ilma poistuu sytytysliekin aukosta.
 - Varmista sytyttäessäsi sytytysliekkiä, että säädin on kohdassa "Pilot" ja pidät sitä koko ajan pohjassa, kun painat sytytysnappia. Säädin voidaan vapauttaa sytytysliekin syttymisen jälkeen.
 - Sytytysliekki voidaan nähdä ja tarkistaa pienistä pyöreistä aukoista, jotka sijaitsevat liekkiverkon alalaidassa säätimen vasemmalla ja

oikealla puolella.

- Jos sytytysliekki ei syty tai se sammuu, toista vaihe 3.
8. Käännä sytytysliekin syttymisen jälkeen säädin minimiasennosta "LO" maksimiasentoon "HI".

LÄMMITTIMEN SAMMUTUS

- 4. Käännä säädin asentoon "Pilot".
- 5. Paina säädintä ja käännä se asentoon "OFF".
- 6. Sulje nestekaasupullon venttiili kokonaan.



Laitteessa on erikoismekanismi, joka katkaisee kaasunsyötön laitteeseen heti, jos laite kallistuu enemmän kuin 40°.

Älä koske sammuttamisen jälkeen poltinkyökköön ennen kuin laite on jäähtynyt (vasta 45 minuutin kuluttua sammuttamisesta).

SÄILYTYS

- Sulje nestekaasupullon venttiili aina käytön jälkeen tai toimintahäiriön ilmetessä.
- Poista paineensäädin ja letku.
- Tarkista, että kaasuventtiili on tiukasti kiinni ja siinä ei ole vaurioita. Jos epäilet vauriota, vaihdata se kaasulaitehuollossa.
- Älä koskaan säilytä nestekaasupulloa maan alla tai paikoissa, joissa on riittämätön ilmasto.

PUHDISTUS JA HUOLTO

- Pyyhi ulkopinnat pehmeällä ja kostealla rätillä käyttäen saippuavettä. Älä puhdistu lämmitintä tulenaroilla tai syövyttävillä puhdistusaineilla.
- Poista nestekaasupullon kotelon tuuletusaukoista, säädinkotelosta, polttimesta ja ilmakanavista roskat, hämähäkinverkot ja hyönteiset

vahvatekoisella piipunpuhdistajalla tai paineilmalla. Näin laite pysyy puhtaana ja turvallisena käyttää. Älä koskaan puhdistaa mitään kanavia tai aukkoja hammastikuilla tai muilla välineillä, jotka rikkovat ja tukkivat ne.

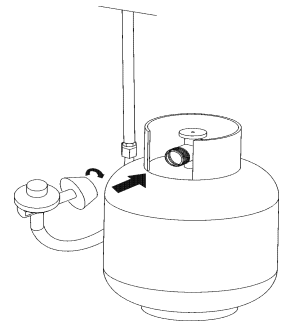
- Älä maalaa liekkiverkkoa, säädinkoteloä tai lämmönheijastinta.
- Peitä poltinsikkö laitteen mukana toimitetulla suojuksella, kun laite ei ole käytössä. Odota ennen suojuksen laittamista, että laite jäähtyy.
- Ruostuminen on tavallista nopeampaa ympäristöissä, joissa ilma on suolaista, kuten meren läheisyydessä. Tarkista säännöllisesti, onko laitteessa ruostuneita kohtia ja korjaa ne välittömästi.

Kaasuletkun liittäminen nestekaasupulloon

NEUVO: Hanki voimassa olevien kansallisten määräysten mukainen kaasunsäädin ja taipuisa kuminen kaasuletku ja letkunkiristimet, koska ne eivät tule laitteen mukana.

Kaasunsäätimen tulee olla säädetty 28-30/37/50 mbar paineelle.

Yhdistä kaasuletku laitteen kaasuputken liittimeen ja kiinnitä se käyttäen sopivaa letkunkiristintä. Jos tarvitaan tiivisteitä, niiden tulee olla standardin EN 549 mukaisia. Jos tarvitaan muita tarvikkeita tiiviyden varmistamiseksi, niiden tulee olla standardin EN 751 mukaisia.



Tarkista kaasunpitävyys saippuavedellä kohdan "Vuototesti" mukaisesti joka kerta kun kytket letkun.

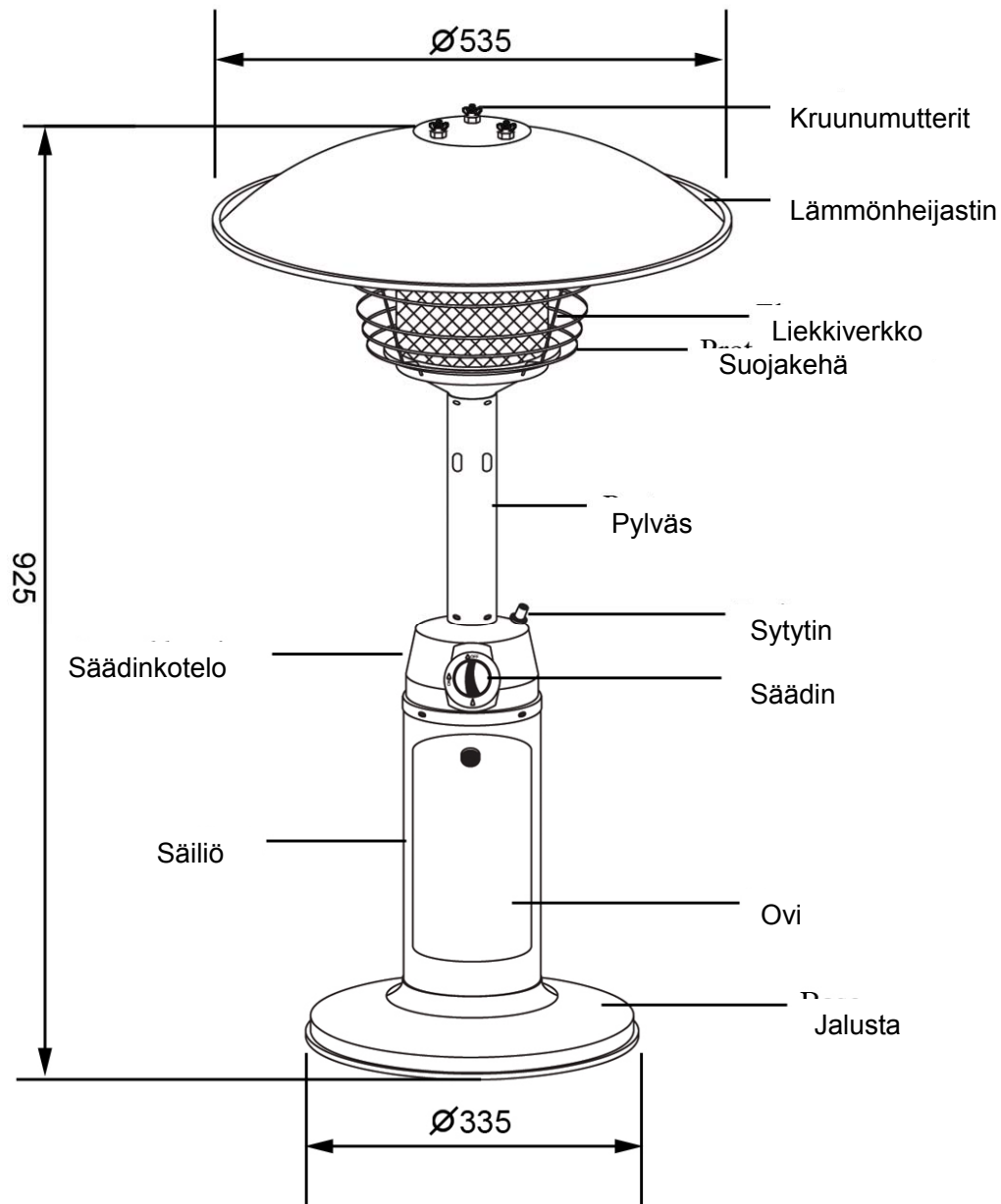
Varoitus:

Vaihda nestekaasupullo vain hyvin tuuletetussa paikassa ja etäällä kaikista syttymisen aiheuttajista (kynttilä, tupakat, muut laitteet, joissa on tuli, jne.).

Tarkista, että kaasunsäätimen tiiviste on paikoillaan ja hyvässä kunnossa.

Tarkista kaasuletku vähintään kerran kuussa ja aina kaasupullon vaihdon yhteydessä. Jos siinä on halkemia, repämiä tai muita kulumia, se pitää vaihtaa uuteen samanpituisen ja -laatuiseen letkuun.

OSAT JA TEKNISET TIEDOT



A - Rakenne ja ominaisuudet

- Siirrettävä terassi/puutarhalämmitin, jossa nestekaasupullokotelo.
- Kuoret pulverimaalattua tai ruostumatonta terästä.
- Useille eri maille sopiva kaasunsyöttöliitäntä.
- Liekkiverkko ruostumatonta terästä.
- Lämmön säteily lämmönheijastimesta

B - Tekniset tiedot

- Vain ulkokäyttöön.
- Toimii butaanilla, propaanilla tai niiden seoksella.

Mallit	Kaasuluokat	Paine (mbar)	Kohdemaat	Qn (Hs)		Enimmäiskulutus (g/h)
				Ottoteholliselle lämmölle	Ottoteholliselle lämmölle	
PH01-S-PC	I3+	G30: 28-30 mbar G31: 37 mbar	BE - CH - ES - FR - GB - GR - IE - IT - PT - LU - PL	3 kW 3 kW	1,4 kW 1,4 kW	(G30) (G31)
	I3B/P	Kaasut (propani butaanii tai niiden seos)	<u>CY - CZ - DK - EE - FI - LT - LV - MT - NL - NO - SE - SI - SK - BG - RO - TR</u>	3 kW 3 kW	1,4 kW 1,4 kW	(G30)
PH01-SS-PC	I3P(50) I3B/P(50)		G30/G31: 50 mbar	<u>AT - DE</u>	3 kW	1,4 kW

Paino:

Pulverimaalattu metallinen 8,5 kg (tarkista sen jälkeen, kun valurauta on laitettu jalustaan)

Ruostumaton teräs: 8 kg (malli PH01-SS-PA)

Korkeus: 950 mm

C - Injektoritaulukko

<i>Kaasuluokka</i>	<i>Käyttökelpoi set kaasut</i>	<i>Kaasunsäätö</i>	Injektori	Ohivirtaus	Sytytys
I3+	G30/G31	28-30/37 mbar	1 (100/mm)	120 (100/mm)	18 (100/mm)
I3B/P		30/30 mbar			
I3B/P(50) I3P(50)		50/50 mbar			

KOKOONPANON OSAT

Tarvittavat työkalut:

- Tasapäinen ruuvimeisseli, leveä tai keskikokoinen pää
- Vuototestiä varten suihkupullo ja saippualliuosta

Toimitukseen kuuluvat osat:

- Kaksipäinen kiintoavain, 8 ja 10 mm
- Lämmönheijastin Ø 535 mm, 3 kpl Ø 6 mm tiivisteitä ja 3 kpl M6 kruunumuttereita
- 3 kpl M8 x 60 mm terästappeja
- Ruostumaton liekkiverkko ja 4 kpl 3/16" pultteja
- Pylväs ja poltinkytkin
- Säiliö
- Ovi
- Suojakehä
- Jalusta ja 4 kpl M6 x 20 mm pultteja

KOKOAMINEN

VAIHE 1



- 1-1. Ota esille kaikki pöytälämmittimen osat.
1-2. Kohdista valurauta jalustassa oleviin reikiin.

VAIHE 2



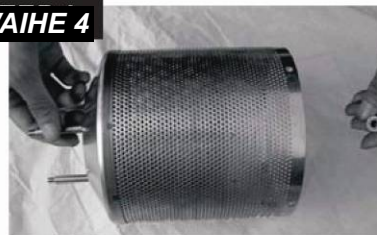
- 2-1. Kiinnitä säiliön kotelo jalustaan ja valurautaan neljällä M6 x 8 mm pultilla.
2-2. Kiristä pultit kuvasta näkyvällä tavalla.

VAIHE 3



- 3-1. Aseta poltin säiliön kotelon päälle ja kiinnitä se neljällä 3/16" pultilla.

VAIHE 4



- 4-1. Kiinnitä kolme 60 mm pituista tappia liekkiverkkoon kolmella laippamutterilla (M6) ja kiristä ne.

VAIHE 5



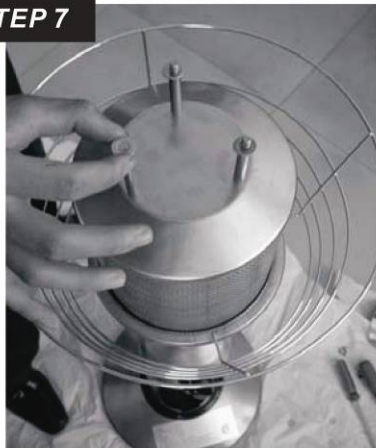
- 5-1. Put the emitter screen on the burner.
- 5-2. Use 4pcs 3/16" bolts to connect the emitter screen to the burner. Tighten the bolts.

VAIHE 6



- 6-1. Put the guard on the burner through the emitter screen.
- 6-2. Put the ends of the guard into the holes of the burner.

STEP 7



- 7-1. Put 3pcs washers on each pins of the 60mm length.

STEP 8



- 8-1. Put the reflector through the pins and on the washers.

VAIHE 9



9-1 Fasten the reflector with
3 screws. Kiinnitä lämmönheijastin kolmella
kruunumutterilla (M6).

VAIHE 10



10-1 Close the door plate and
lock it. Sulje ovilevy ja lukitse se
kahvasta kääntämällä sitä 90 astetta.

VIANETSINTÄTAULUKKO

<i>ONGELMA</i>	<i>TODENNÄKÖINEN SYY</i>	RATKAISU
Sytytysliekki ei syty	Kaasuventtiili on kiinni. Nestekaasupullo on tyhjä. Ilma-aukot tukossa. Ilmaa syöttöjärjestelmässä. Löysät liitokset. Riittämätön kaasunpaine.	Paina kaasuhanaa ja käännä se päälle. Täytä nestekaasupullo. Puhdista aukot. Poista ilma järjestelmästä painamalla säädintä niin kauan että haistat kaasun. Tarkista kaikki liitokset. Vaihda uusi nestekaasupullo.
Sytytysliekki ei pysy tulessa	Likaa sytytyspolttimen ympärillä. Löysät liitokset. Termopari ei toimi. Kaasuvuoto järjestelmässä. Polttoaineen paine puuttuu.	Puhdista likaiset kohdat. Kiristä liitokset. Uusi termopari. Tarkista liitokset. Nestekaasupullo on lähes tyhjä. Täytä se.
Poltin ei syty	Paine on riittämätön. Ilma-aukot tukossa. Säädin ei ole päällä. Viallinen termopari. Sytytyspoltin vinossa. Sytytyspoltin on väärässä kohdassa.	Nestekaasupullo on lähes tyhjä. Täytä se. Puhdista aukot. Käännä hana päälle. Uusi termopari. Laita sytytyspoltin oikeaan asentoon. Sijoita oikein ja yritä uudestaan.
Polttimen liekki on matala	Syöttöletku on taipunut tai kiertynyt.	Suorista letku ja tee letkun vuototesti.
Liekkiverkko hehkuu epätasaisesti	Riittämätön kaasunpaine. Jalusta ei ole vaakasuoralla alustalla.	Vaihda uusi nestekaasupullo Laita lämmitin vaakasuoralle alustalle.
Sakeaa mustaa savua	Tukos polttimessa	Sammuta lämmitin ja anna sen jäähtyä. Poista tukos ja puhdista poltin sisä- ja ulkopuolelta.
Nokeentumia	Likaa tai nokikerros lämmönheijastimessa ja liekkiverkossa.	Puhdista lämmönheijastin ja liekkiverkko.

Yhteystiedot:

Sunwind Gylling Oy

Niemeläntie 1, 20780 Kaarina

Sähköposti: sunwind@sunwind.fi

Www: www.sunwind.fi

*Pyydämme teitä olemaan
ongelmatapauksissa yhteydessä
myyjääänne.*



•
Sunwind Gylling AS • Postboks 64 • N-1309 RUD • Norge
Rudssletta 71-75 • N-1351 RUD • Norge
(+47) 67 17 13 70
post@sunwind.no

Sunwind Gylling AB • Vendevägen 90 • S-182 32 DANDERYD • Sverige
(+46) 8-544 98 994

Sunwind Gylling OY • Niemeläntie 1. • Kaarina
FIN-20780
(+358) 2236 1515