

# HARVIA HSWS

HSW700400S

*This heater has been designed for you who appreciate humid sauna bathing and ambience provided by the sauna scents. One heater provides multiple ways of enjoying sauna. Wall Combi - heater adapts to your personal, friends' and family's sauna preferences. Enjoy sauna just the way you like it.*

## Advantages

- Versatile combi heater with integrated steamer
- Stable humidity, up to 1 % accuracy
- Streamlined design that reflects Scandinavian minimalism
- Controlled by a separate control unit
- Durable structure and features extend heaters lifespan



## Features

Main material : Steel

H x W x D : 710.0 x 380.0 x 355.0 mm

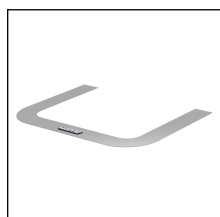
Installation type : Wall

Net weight (kg) : 11.9

Water container volume (l) : 5.0

ID	GTIN	Output (kW)	Sauna room size min - max m3
HSW700400S	6417659022729	7 kW	6.0-9.0

## Related products



HSW1

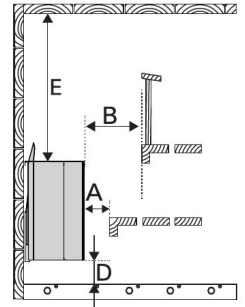
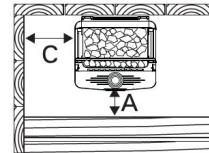
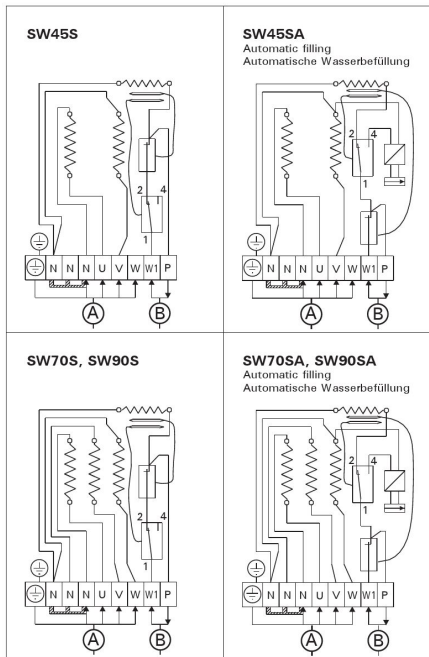
## Spare parts

Product	ID	Pcs
Heating element 2000W/230V	ZH-104	1
Heating element 2260W/230V	ZCU-823	3
Overheating limiter switch 55.13529.100	ZSK-764	1
Thermostat 13322.090 110 Steam	ZSN-250	1
Water reservoir for HL, assembled	ZCU-115	1
Wall mounting bracket, Wall all models	ZWA-058	1
Solenoid valve	ZSS-610	1
Soapstone cup Senator Combi	ZSS-505	1
	ZWA-023	1
The Wall E, Air flow spoiler	ZWA-059	1
Silicon hose pipe 12/16	ZH-175	1
	ZWA-077	1

## Technical details

Technical data	Type / attribute	HSW700400S
	Color	Stainless Steel
	Power output	7 kW
	Stone sizes	5-10 cm
	Stone amount (kg)	20
Dimensions	Product width (mm)	380
	Product height (mm)	710
	Product depth (mm)	355
	Net weight (kg)	11.9
	Gross weight	13.5
	Package width	460
	Package height	623
	Package depth	264
	Water container volume (l)	5
Safety and installation dimensions	Safety distance front (non-combustible materials)	20
	Safety distance front (combustible materials)	20
	Safety distance side (non-combustible materials)	70
	Safety distance side (combustible materials)	70
	Safety distance (Ceiling) (depends on connections and therefore from output, star/delta)	1200
	Room min. height(depends on connections and therefore from output, star/delta)	1900
	Installation opening height	1900
	Installation opening width	520
	Installation opening depth	375

**Technical images**

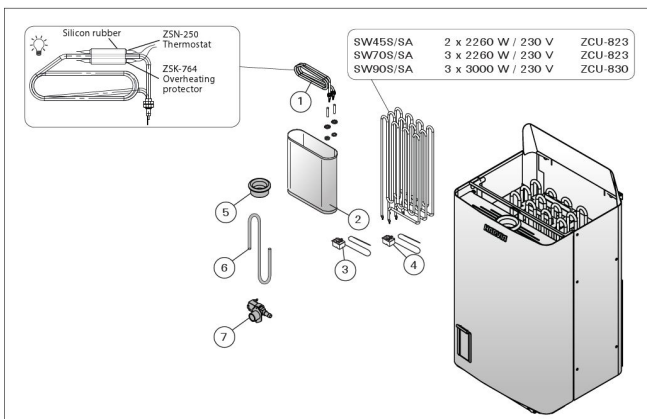


	min. mm				
	A	B	C	D	E
SW45S/SW45SA	20	20	35	80	1200
SW70S/SW70SA	20	20	70	80	1200
SW90S/SW90SA	20	20	80	80	1200

*Safety distances (all dimensions in millimeters)*

Heater Ofen	Output Leistung kW	Heater output Ofenleistung kW	Steamer output Verdampferleistung kW	Fuses Sicherungen A	Cables Kabel 400 V 3N~ mm <sup>2</sup>
					(A) (B) (A)+(B)
SW45S/ SW45SA	4,5	2 x 2260 W	2,0	3 x 10	5 x 1,5 2 x 1,5 7 x 1,5
SW70S/SW70SA	7,0	3 x 2260 W	2,0	3 x 10	5 x 1,5 2 x 1,5 7 x 1,5
SW90S/SW90SA	9,0	3 x 3000 W	2,0	3 x 16	5 x 2,5 2 x 2,5 7 x 2,5

*Electrical connections*



1	Evaporator heating element, assembled	Heizelement des Verdampfers, montiert	2000 W/230 V	ZH-104	1
2	Water reservoir	Wassertank		ZCU-115	1
3	Thermostat 110 °C	Thermostat 110 °C		ZSN-250	1
4	Overheating protector	Überhitzungsschutz		ZSK-764	1
5	Soapstone cup	Specksteinbecher		ZSS-505	1
6	Drain hose	Entleerungsrohr		ZH-175	1
7	MG valve	Magnetventil		ZSS-610	1

We recommend to use only the manufacturer's spare parts.