

HARVIA

Sauna & Spa

ELECTRIC SAUNA HEATERS



EN



Relaxing Moments & Natural wellbeing

This year, Harvia will celebrate its 70th anniversary. Founded by Tapani Harvia in 1950, this sauna heater manufacturer has grown into an international sauna and spa company. We provide everything for your sauna.

In a Harvia sauna, the essential elements of nature – wood, stone and water – combine to create a relaxing oasis of well-being. The sauna is a comprehensive experience that lets you enjoy the natural well-being that stems from Finnish sauna traditions.

The soft heat of the sauna has a positive effect on your health. For example, it improves blood circulation, reduces the risk of heart disease, helps muscles recover, deepens sleep, reduces stress and relaxes both physically and mentally.

The soft and steady heat emitted by the heater is the heart of the perfect sauna experience. The heater is the heart of your sauna – the source of a relaxing sauna bath. Harvia's popular heaters have always been pioneers – elegant, durable and economical.

We value nature and its diversity. That is why we want to take care of its purity by developing products that are as environmentally friendly as possible. Harvia's versatile range of heaters makes it easy to choose a heater that suits your needs.

Content

HARVIA HEATERS FOR FAMILY SAUNAS	7
<i>Cilindro Plus, Cilindro Plus Spot</i>	8
<i>Spot, the wireless control switch</i>	9
<i>Cilindro</i>	10
<i>Kivi</i>	13
<i>Glow, Glow corner</i>	15
<i>Globe</i>	17
<i>Forte</i>	19
<i>The Wall</i>	20
<i>The Wall E</i>	20
<i>The Wall combi</i>	21
<i>Moderna</i>	22
<i>Vega</i>	22
<i>Top Steel</i>	23
<i>KIP</i>	23
<i>Topclass Combi</i>	24
<i>Combinator</i>	24
<i>Sauna Steamer</i>	25
<i>Hidden Heater</i>	25
HEATERS FOR SMALL SAUNAS	27
<i>Vega Compact</i>	28
<i>Delta, Delta EE, Delta Combi</i>	29
<i>Unio</i>	29
HARVIA HEATERS FOR LARGE AND PUBLIC SAUNAS	31
<i>Modulo</i>	32
<i>Tall Modulo</i>	33
<i>Virta</i>	34
<i>Cilindro Pro</i>	37
<i>Legend</i>	39
<i>Senator</i>	40
<i>Senator Combi</i>	41
<i>Club</i>	42
<i>Club Combi</i>	43
<i>Profi</i>	43
<i>Harvia control units</i>	44
<i>Safety equipment and safety switches</i>	48
<i>Harvia lighting</i>	50
<i>Harvia accessories</i>	52
TECHNICAL DATA	54





Relax in the heat of Harvia's electric sauna heaters

The sauna is a place of relaxation where you can enjoy the best soft sauna bath. At its best, a sauna heater is a part of the decor; the heart of the sauna that gives the best heat and serves the bather for a long time.

Harvia's popular electric heater models are designed to give you the best sauna bath experience in daily use, year after year. Every heater contains top-of-the-line technology and is economical and pleasant to use. Our extensive selection contains heaters for all decors as well as solutions for small saunas, family saunas and large public saunas alike.

The quality of Harvia electric sauna heaters is a result of decades of cooperation

At Harvia, we are inspired by the sauna and the comprehensive sense of well-being brought on by its heat. That is why we want our electric heaters to always provide you with the best sauna experience.

We invest in continuous product development and research to ensure the high quality and safety of our products. We only use first-class components, paying attention to every detail. The usability of our sauna heaters and their appearance that suits the decor will ensure a pleasant sauna bathing experience. You will be sure to find a suitable heater from Harvia's selection of electric sauna heaters and their accessories.



Selecting a heater

The electric heater is part of the sauna's interior design and ambience. Find the right design for you from Harvia's range of electric heaters. A properly built sauna room is a very important factor in getting the most out of your heater. The stove power is selected based on the size and material of the sauna.

An average of 1 kW of power is required for each cubic metre of sauna volume. The power requirement increases if there are window surfaces or heat-storing surfaces such as brick or concrete in the sauna.

A handy tool is available for these calculations at www.harvia.fi/en/selecting-heater/

Original Harvia sauna stones

Harvia sauna stones are selected according to old sauna traditions, and they provide bathers with gentle heat and steam. Electric heaters and woodburning stoves must absolutely use massive, split-face sauna stones, as they store plenty of heat and make the water thrown onto them vaporise efficiently on the broad fracture surface. Angular split-face stones also allow for loose placement of the stones, which is very important particularly in electric heaters in order to make it possible for the heat to be conveyed to the sauna room through the gaps between the hot stones and heating elements. Good air circulation in the stone compartment makes the electric heating elements last for as long as possible. Light (ceramic) and soft (soapstone) sauna stones do not produce the desired results. They also cause problems in electric heaters in particular, which is why their use is prohibited.



Harvia sauna stones are available in two sizes. Please check the product information to ensure the compliance of sauna stones.





HARVIA HEATERS FOR FAMILY SAUNAS

Enjoy a happy moment in the sauna with your family – or dedicate the relaxing sauna experience to yourself.

Design your sauna to suit the needs of your family and choose a suitable Harvia heater as its heart. The heaters in the Harvia family sauna range represent the well-known quality of Harvia: elegant, easy to use, durable and economic.



The new generation of Cilindro

Cilindro Plus, Cilindro Plus Spot

The **Harvia Cilindro Plus** electric sauna heater is an impressive pillar heater consisting of a massive amount of stones. The heater's outer casing reveals plenty of surface made of these stones. You can control the amount of steam and its heat by either throwing water directly on the stone pillar or on its side. The tall pillar heater is an impressive sight when embedded into the benches and its brushed stainless steel exterior gives it a finished look.

The PP70 and PP90 sauna heater models are equipped with illuminated operating switches and a child-proof function. The fixed operating switch is on the bottom front of the heater. The switch makes using the heater safe and easy. The child-proof switch is safe for families with children and the light on the switch is illuminated when the heater is either on or on a timer.

The E model sauna heaters (PP70E and PP90E) are controlled using a separate control unit, making the sauna heater well-suited for installation into the lower bench.

Harvia's PP70SP and PP90SP model heaters have been equipped with a new control unit integrated into the heater, which can be controlled using a wireless Spot control switch (delivered with the heater).

⚡ 6,8–9,0 kW 📦 6–14 m³ ⚖️ 90 kg

Model: PP70, PP90, PP70E, PP90E, PP70SP, PP90SP
Dimensions: width 310 mm, depth 310 mm, height 1020 mm, weight 11/12,2 kg



CILINDRO PLUS

CILINDRO PLUS E

CILINDRO PLUS SPOT

! For more technical information, see page 55



WIRELESS CONTROL



ON-TIME CONTROL



ON/OFF FUNCTION

Innovative sauna control

Spot, the wireless control switch

Harvia Spot wireless control switch enables the easy and safe use of the Cilindro Plus Spot sauna heater. The Spot switch has no visible cables and it is easy to install. The splash-proof Spot control switch can be installed inside the sauna or the washroom, in the immediate vicinity of the heater.

The stylish, illuminated control switch enables switching the heater on or off with just one light touch. The signal LED lights of the control switch show the mode of use. The heater's on-time can be adjusted (2h/4h/6h).

The radio signal range is 5–10 meters depending on the wall structures. Spot works on batteries.



Clean and easy to install. No wires or visible sensor components. Easy-to-use push button with a signal LED.

ACCESSORIES FOR CILINDRO PLUS SPOT HEATER



Protective sheath HPP11



Safety railing HPP3
Safety railing with LED lights HPP3L



Embedding flange HPC2



Illuminated embedding flange HPC2L

RECOMMENDED PRODUCTS

(With the E model)



Xenio CX170 control unit



C170VKK control unit



Pillar heater – a top-class steam giver

Cilindro

The range of Harvia Cilindro sauna heaters offers a great selection of affordable pillar heaters for family saunas. You can choose a sauna heater with or without an outer casing, with a built-in or separate control panel, and in black or white. The large number of sauna stones ensures an enjoyable sauna experience with all these options.



The **Harvia Cilindro** electric heater contains a massive amount of stones. Thanks to the grate-like outer shell, each user can adjust the nature of the steam: soft when throwing water onto the side of the heater and sharp when throwing water straight on top of the stone pillar. The Cilindro is impressive to both look at and experience. The operating switches are located near the bottom of the heater. Cilindro heaters equipped with a separate control panel are marked with the code EE. The code E, on the other hand, refers to sauna heater models controlled by a separate control unit.



The **Harvia Cilindro H** electric heater has an outer casing that is partially open at the front, allowing users to enjoy the benefits of a large stone surface and place the heater containing a massive amount of stones in a small space. You can adjust between gentle and sharp steam by throwing water in the middle or on top of the stone pillar.

The operating switches are located near the bottom of the heater. Cilindro heaters equipped with a separate control panel are marked with the code EE.

6,6–10,8 kW

6–18 m³

80–120 kg

Dimensions:

- Cilindro/E/EE: width 320 mm, depth 320 mm, height 930 mm, weight 10 kg
- Cilindro 66/66E: width 255 mm, depth 255 mm, height 1340 mm, weight 11 kg
- Cilindro H/HE/HEE: width 360 mm, depth 340 mm, height 930 mm, weight 17 kg
- Cilindro F: width 360 mm, depth 360 mm, height 930 mm, weight 17 kg
- Cilindro 110EE: width 365 mm, depth 365 mm, height 1070 mm, weight 13 kg
- Cilindro 110HEE/VHEE: width 395 mm, depth 380 mm, height 1070 mm, weight 17 kg

ACCESSORIES



Embedding flange HPC1 (6,8/9,0 kW)



Embedding flange HPC2 (6,8/9,0/10,8 kW)



Illuminated embedding flange HPC2L (6,8/9,0/10,8 kW)



Safety railing HPC3 (6,8/9,0 kW)



Safety railing with LED lights HPC3L (6,8/9,0 kW)



Safety railing HPC4 (10,8 kW)



Safety railing with LED lights HPC4L (10,8 kW)



Safety railing HPC10 (6,6 kW)



Safety railing with LED lights HPC10L (6,6 kW)

RECOMMENDED PRODUCTS

(With the E model)



Xenio CX170 control unit



C170VKK control unit

For more technical information, see page 56



A top-of-the-range heater with raw natural power

Kivi

The **Harvia Kivi** electric heater is an impressive piece of raw natural power. The source and the power of the Finnish sauna tradition comes from heating up a huge pile of stones. That is what inspired us as well. The Harvia Kivi heater combines centuries-old tradition with the latest technology to create the ultimate sauna experience. Thanks to the massive number of stones and the tall design, you can adjust the nature of the steam from soft to sharp by throwing water either to the side of the heater or straight on top of the stone pillar. Throw water on Kivi for a naturally powerful sauna experience.

This floor model heater has almost 100 kg of sauna stones, which has proved to be the right amount to offer hefty heat within a reasonable time. The stones are located in a two-part, triangular steel framework. This stylish design allows for the natural strengths of the stone.

The Harvia Kivi can be placed near the sauna benches, as its surface temperature is relatively low. You can also embed the heater in the lowest bench with the help of an embedding flange made from stainless steel that is available as an accessory.

The Harvia Kivi heater (models PI70 and PI90) is equipped with a separate digital control panel. This makes using the heater extremely simple and allows you to adjust the temperature to an accuracy of one degree, among other things. The control panel can be placed inside or outside the sauna room with a connecting cable. The length of the cable is 3 m (with 5 m or 10 m as options).

The Harvia Kivi models PI70E and PI90E are controlled by a separate control unit.



KIVI

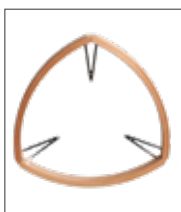
-  6,9–9 kW
-  6–14 m³
-  100 kg

Model: PI70, PI70E, PI90, PI90E
Dimensions: width 370 mm, depth 370 mm, height 1200 mm, weight 15 kg

ACCESSORIES



Embedding flange HPI1



Safety railing HPI2



Safety railing HPI4



Embedding flange HPC2



Illuminated embedding flange HPC2L

RECOMMENDED PRODUCTS

(With the E model)



Xenio CX170 control unit

 For more technical information, see page 57



ACCESSORIES



Safety railing
HTRT3



Embedding flange
HPC2



Illuminated
embedding flange
HPC2L



Embedding flange
HTRC1



Safety railing
HTRC3
Safety railing with
LED lights HTRC3L

RECOMMENDED PRODUCTS

(With the E model)



Xenio CX170
control unit



C170VKK
control unit

A new design that lifts up even the most stylish sauna interior

Glow, Glow corner

Harvia Glow pillar heater has been designed to meet the needs of even the most demanding sauna decorator. Choose the tall, pillar model Glow or corner-mounted Glow Corner as the eye-catcher of your sauna interior.

In addition to their aesthetic, Glow heaters also offer a pleasant sauna experience: the large stone quantity enables soft, comfortable steam. The heater's outer casing reveals plenty of surface made of the stones, and you can control the amount of steam and its heat by either throwing water directly on the stone pillar or on its side.

The Glow heater has clear, easy-to-use selectors in the bottom part of the heater. The heater is equipped with a manual timer and temperature controller. The heater is clear and simple to use.

Safe operation is guaranteed thanks to sensors integrated into the heater. The arrangement of the stones has no effect on the thermostat's operation, and the heater's operation remains more stable even after long use. Glow's thermostat will also quickly react to the stones cooling down, which means that the heating elements will switch on quickly, heating up the stones in time for the next sauna bath.

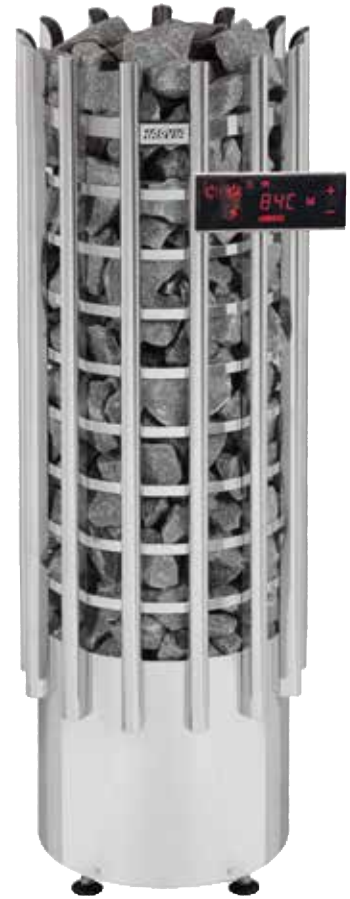
Glow heaters equipped with a separate control panel are marked with the code EE. The code E, on the other hand, refers to sauna heater models controlled by a separate control unit.

-  6,8–9,0 kW
-  6–14 m³
-  80 kg

Model: TRT70, TRT70E, TRT70EE, TRT90, TRT90E, TRT90EE, TRC70, TRC70E, TRC70EE, TRC90, TRC90E, TRC90EE

Dimensions:

TRT width 364 mm, depth 364 mm, height 1076 mm, weight 14 kg
 TRC width 330 mm, depth 330 mm, height 1100 mm, weight 16 kg



GLOW EE





A world-class innovation: The Globe heater

Globe

The **Harvia Globe** sauna heater offers you a pleasant sauna experience, not only through heat and steam but also through its unique design and excellent usability.

The Harvia Globe is also an example of environmentally friendly design: it is made from high-quality materials – sturdy stainless steel – and no harmful chemicals are used in its surface finish. A completely new way of thinking is also apparent in the design of the heater, which is made out of precisely laser-cut steel arches and rings. The amount of sauna stones is optimised: the heater heats up quickly enough without sacrificing the softness of the steam.

The Harvia Globe heaters GL70 (Ø 430 mm) and GL110 (Ø 500 mm) are controlled by a touch-screen control panel. Both the user-friendly touch-screen control panel and the highly accurate temperature adjuster have been designed for your convenience according to Harvia’s design principles. The splash-proof and simple yet stylish control panel can be installed inside or outside the sauna room. The heater includes a compact power unit, which provides electricity to the heating elements. The heater is connected to the power unit via a cable running inside an armoured tube. The heater’s temperature sensor is installed in the ceiling of the sauna room and connected to the power unit via a cable.

The Harvia Globe is also available as E models GL70E and GL110E, which are controlled by a separate control unit. The E models include a connection box for electrical input from the control unit. The heater is connected to the connection box via a cable running inside an armoured tube.

Supplied with a height adjustable stand.

-  6,9–10,5 kW
-  6–15 m³
-  50/80 kg

Model: GL70, GL70E, GL 110, GL110E

Dimensions:

GL70: width 430 mm, depth 430 mm, height 395 mm, weight 10 kg
 GL110: width 500 mm, depth 500 mm, height 475 mm, weight 14 kg



GLOBE

ACCESSORIES



Safety railing
HGL6/HGL7



Embedding flange
HPC2



Illuminated embedding flange
HPC2L

RECOMMENDED PRODUCTS

(With the E model)



Xenio CX170
control unit



Harvia Forte
– a sauna always at your service.

Just grab a towel, lift the Forte's cover and climb onto the bench to enjoy humid and gentle steam.

Perfect sauna enjoyment 24/7

Forte

The always-ready Finnish **Harvia Forte** heater provides you with a perfect moment of relaxation in no time at all to punctuate your hectic schedule. The Forte is Harvia's innovative version of the heat-storing electric heater, combining top-of-the-range heater technology with a sleek design. Just grab a towel, lift the Forte's cover and climb onto the bench to enjoy humid and gentle steam. Welcome to a stress-free zone 24/7.

The Forte is equipped with a separate splash-proof control panel. Thanks to the separate control panel, the Forte is extremely well-suited for being embedded into a bench. The Forte's new properties provide family saunas with a sense of safety. The heater will turn off automatically if you forget to close the cover, and the control panel has a keypad lock. The new ECO mode saves electricity, as it allows you to adjust the heater's temperature to a very low setting without turning off the heater.



4–9 kW

5–15 m³

100 kg

Model: AFB4, AFB6, AFB9

Dimensions: width 500 mm, depth 535 mm, height 830 mm, weight 30 kg

Color options: steel, black, red



FORTE

ACCESSORIES



Embedding flange
HAF1



For more technical information, see page 59

Easy-to-use wall-mounted heater

The Wall

Despite its output of up to 9 kW, **The Wall** requires only little space inside the sauna. This heater was created with a focus on functionality. Illuminated switches, durable construction and ease of installation make The Wall a great product. The total package is both compact and stylish.

The illuminated operating switches are visible and simple to use even in dim saunas. The Wall's structures and material are strong and durable. Its heating elements have their own support structure to protect them, preventing them from twisting and thus extending their lifespan. Components that are exposed to heat and moisture are located at the bottom of the stove. The heating element's structure is designed to withstand prolonged, efficient heating.

The unique Harvia mounting/wall rack included in the scope of delivery determines the minimum safety distance between the heater and the floor. Installation of the heater is quick and easy.



THE WALL

⚡ 4,5–9 kW 📦 3–14 m³ 🪨 20 kg

Model: SW45, SW60, SW80, SW90

Dimensions:

SW45 /SW60 width 430 mm, depth 260 mm, height 610 mm, weight 11/12 kg

SW80 width 430 mm, depth 260 mm, height 700 mm, weight 14 kg

SW90 width 430 mm, depth 260 mm, height 700 mm, weight 15 kg



Standing out and lighting up at the top of the heater, the operating switch is easy to use even when the lights are low.

The Wall E

The Wall E boasts a clear, streamlined design that reflects Scandinavian minimalism. The heater fits into compact spaces and is suitable for all kinds of saunas, contributing to a stylish look. The model E stove is controlled by a separate control unit. Thanks to the control unit, The Wall E can also be integrated into the bench, giving you more flexibility in regard to the design of your sauna room.

⚡ 4,5–9 kW 📦 3–14 m³ 🪨 20 kg

Model: SW45E, SW60E, SW90E

Dimensions:

SW45E /SW60E width 380 mm, depth 260 mm, height 610 mm, weight 10 kg

SW90E width 380 mm, depth 260 mm, height 700 mm, weight 11 kg

RECOMMENDED PRODUCTS



Xenio CX110
control unit



THE WALL E

! For more technical information, see page 59



New heater with a steaming function for gentle and humid sauna

The Wall combi

This heater has been designed for you who appreciate humid sauna bathing and ambience provided by the sauna scents. Having sauna with a Wall Combi heater with an integrated steaming function is a multi-sensory experience with a versatility that cannot be compared. One heater provides multiple ways of enjoying sauna. Wall Combi -heater adapts to your personal, friends' and family's sauna preferences. Enjoy sauna just the way you like it.

Enjoy steady humidity

The Wall Combi sauna heater is a new heater equipped with a steamer in the wall heater range, which has become a Harvia product family in its own right. The integrated steamer of the Wall Combi heater generates and maintains steady humidity in the sauna – with precision down to the percentage. The steam makes the sauna heat more pleasant, providing a soft and humid bathing experience. You can add fragrances to the stone cup of the sauna heater.

-  4,5–9 kW
-  5–18 m³
-  20 kg

Model: SW45S, SW45SA, SW70S, SW70SA, SW90S, SW90SA
Dimensions: width 380 mm, depth 355 mm, height 710 mm, weight 16 kg




THE WALL COMBI

RECOMMENDED PRODUCTS




Xenio Combi CX110C control unit


Soft and gentle sauna
 Add water to the steamer and set the temperature to a lower level eg. 50–60 degrees of Celsius. Enjoy soft and gentle feeling provided by high humidity and lower temperature. You can enjoy sauna longer and relax in conditions that suit you the best. You can add fragrances to the stone cup of the heater to enhance the ambience.



Combined sauna
 When the steamer is on you can adjust the humidity to the level that suits you the best. If you like a higher warmth adjust the temperature already to eg. 60–80 degrees. You can also throw water to the stones whenever you feel in order to enhance the feel of moisture and warmth.



Hot Sauna
 Use Wall Combi – heater without the steaming function like an ordinary electric sauna heater- You can set the temperature high eg. To 80–100 degrees Celsius and throw water to the stones as much as suits you. The air in the saunarium is dryer and hotter.





MODERNA

A digital design heater

Moderna

The **Harvia Moderna** is the royalty of electric heaters. Thanks to Harvia's patented control technology, Moderna heats up your sauna quickly and silently to the temperature of your choosing. The Moderna heater keeps the temperature even throughout your sauna session. With its stylish design, the Moderna is also a beautiful decorative element. Choose from shiny black or luxurious platinum.

The Moderna is controlled by a separate digital control panel. It is equipped with illuminated switches and a digital display that shows the temperature you have set and the timer. The heater's On time can be set to anything between 2 and 8 hours, with the factory setting being 4 hours. The preset start time can be programmed to anything between 0 and 18 hours.

⚡ 4,5–8 kW 📦 3–12 m³ 🪨 20 kg

Model: V45E, V60E, V80E

Dimensions: width 410 mm, depth 310 mm, height 580 mm, weight 15 kg
Color options: black, platinum

! For more technical information, see page 61

Modern convenience

Vega



VEGA

The **Harvia Vega** is a modern and easy-to-use heater by the world's largest sauna heater manufacturer. The stainless steel outer casing of Vega is durable and creates a modern look for your sauna. The operating switches are placed ergonomically on the side of the heater, near the top, and thanks to the symmetric shape of the heater, the switches can be placed on either side.

⚡ 4,5–8,0 kW 📦 3–12 m³ 🪨 20 kg

Model: BC45, BC60, BC80

Dimensions: width 480 mm, depth 310 mm, height 540 mm, weight 11 kg

! For more technical information, see page 61

Classic lines for your sauna

Top Steel

The **Harvia Top Steel**, a favourite among Finns, is a traditional wall-mounted heater in which price and quality meet in a manner that is sure to warm the bather. Sleek and clear in its design, Top Steel has earned its position as a favourite in numerous saunas in the land of a thousand lakes. Choose the always reliable Harvia.

The E model sauna heaters are controlled by a separate control unit.

⚡ 4,5–9,0 kW 📦 3–14 m³ 🍷 20 kg

Model: M45, M45E, M60, M60E, M80, M80E, M90, M90E

Dimensions: width 410 mm, depth 290 mm, height 650 mm, weight 16 kg

Color options: black, steel

! For more technical information, see page 62



TOP STEEL

A traditional heater favourite

KIP

The **Harvia KIP**, a favourite among Finns, is a traditional wall-mounted heater in which price and quality meet in a manner that is sure to warm the bather. Reliable and affordable, KIP is also adaptable, as the control switches on the lower part of the heater can be placed on the left or right side or on the front.

Sleek and clear in its design, the shiny black KIP has earned its position as a favourite in numerous saunas in the land of a thousand lakes.

⚡ 4,5–8,0 kW 📦 3–12 m³ 🍷 25 kg

Model: KIP45, KIP60, KIP80

Dimensions: width 410 mm, depth 280 mm, height 600 mm, weight 16 kg

! For more technical information, see page 62



KIP



TOPCLASS COMBI

Several sauna experiences in one

Topclass Combi

The **Topclass Combi** is a unique combination of an electric heater and a steamer that provides sauna enjoyment for all senses. You can select between a traditional Finnish sauna, a steam sauna, a herbal sauna or an aromatic sauna. This heater is created for users who appreciate soft and humid steam and a fragrant atmosphere. The heater has soapstone cups to hold sauna fragrances and a stainless steel grate for bagged aromatic fragrances. A hedonist's choice.

Topclass Combi heaters are controlled by a separate control unit.



5,0–9,0 kW

3–14 m³

20 kg

Model: KV50SE, KV50SEA, KV60SE, KV60SEA, KV80SE, KV80SEA, KV90SE, KV90SEA
Dimensions: width 400 mm, depth 360 mm, height 640 mm, weight 16 kg

RECOMMENDED PRODUCTS



Xenio Combi
CX110C
control unit



CS105S Logix
control unit



For more technical information, see page 63



COMBINATOR

Create a variety of sauna experiences with ease

Combinator

Harvia Combinator is a combined electric heater and steamer that provide different sauna pleasures. You can select between a traditional Finnish sauna, a steam sauna, a herbal sauna or a fragrant sauna. This heater is the correct choice for bathers who appreciate a soft and humid bath and an aromatic atmosphere.

Combinator is a wall-mounted electric heater. The water tank holds 5 litres. The heater has soapstone cups to hold liquid fragrances and a stainless steel grate for bagged aromatic fragrances.



6,0–8,0 kW

7–12 m³

25 kg

Model: KM60SE, KM80SE
Dimensions: width 410 mm, depth 330 mm, height 650 mm, weight 16 kg



For more technical information, see page 63

Bring a spa atmosphere to your sauna

Sauna Steamer

The **Harvia Sauna Steamer** is an add-on device that works independently along with an electric heater to make the sauna experience more gentle and humid. Safe and easy-to-use, the Harvia Sauna Steamer brings a spa atmosphere and the feeling of a steam room to an ordinary sauna. The gently humid steam promotes beauty and health, as it opens your airways, makes your skin beautiful and relaxes your body and mind. Make your sauna an oasis of well-being by purchasing the Harvia Sauna Steamer.

 2,0 kW

Model: SS20, SS20A

Dimensions: width 340 mm, depth 95 mm, height 680 mm, weight 6 kg




SAUNA STEAMER

RECOMMENDED PRODUCTS



Xenio Combi
CX110C
control unit

 For more technical information, see page 64

A heater behind the benches

Hidden Heater

Harvia Hidden Heater is a practical heater requiring very little space. It is mounted behind the benches and is therefore very well-suited for community saunas.

Optional accessories for Hidden Heater include a soapstone bowl and a flexible hose pipe. The heat remains comfortably even when water is conveyed to the heater little by little. The bowl is placed on the bench and water is poured into it. The hose pipe takes the water to the heater.

This heater is designed for heavy-duty use and completely made of high-quality stainless steel.

The Hidden Heater is controlled by a separate control unit.

 6,0–12,0 kW  6–17 m³  15 kg

Model: HH6, HH9, HH12

Dimensions: width 1175 mm, depth 290 mm, height 830 mm, weight 33 kg



HIDDEN HEATER

 For more technical information, see page 64





HEATERS FOR SMALL SAUNAS

Relax in a dimly lit sauna, surrounded by wonderful silence, the heat softly caressing your skin.

Even a small sauna can be great. You need not sacrifice quality and functionality even if space is scarce. You can find an elegant and user-friendly heater of a suitable size in Harvia's range of electric heaters. Design your sauna to be your own oasis of good feeling.



A masterpiece of ergonomics

Vega Compact

The **Harvia Vega Compact** is a true powerhouse heater for small saunas. The heater's operating switches are located near the top of the heater, making the heater easy and ergonomic to use. The Vega Compact can be installed particularly low on the sauna wall. This allows the heat to spread evenly throughout the sauna, ensuring that the lower benches also enjoy plenty of heat.

The Vega Compact is easy to install. Just install the wall rack, lift the heater onto it and secure it in place with one screw. The heater is made of stainless steel.

The Vega Compact models BC23 and BC35 are equipped with a built-in control unit.

⚡ 2,3–3,5 kW 📦 1,3–4,5 m³ 🌿 12 kg

Model: BC23, BC35

Dimensions: width 280 mm, depth 295 mm, height 505 mm, weight 7 kg



VEGA COMPACT

! For more technical information, see page 64

Small on the outside, big on the inside

Delta, Delta EE, Delta Combi

The **Harvia Delta** is a triangular, space-efficient heater, the design of which is based on the Greek letter delta (Δ). The stylish heater, made of shiny stainless steel, contains a generous amount of stones that give off a wonderful cloud of steam. Thanks to its design, the Delta can be placed in a corner for optimal utilisation of space. The heater is easy to mount on the separate wall rack included in the delivery. The Delta models D23 and D36 are equipped with a built-in control unit.

The **Harvia Delta EE** model is equipped with an illuminated digital control panel which makes the heater easy to use. The heater's On time can be set to anything between 2 and 8 hours, with the factory setting being 4 hours. The preset start time can be programmed to anything between 0 and 18 hours.

The range of Delta heaters also includes the smallest Combi heater in the world: the **Delta Combi**. This heater is created for bathers who appreciate soft and humid steam and a fragrant atmosphere.

⚡ 2,3–3,6 kW 📦 1,3–4,5 m³ 🍲 11 kg

Model: D23, D36, D23EE, D29EE, D36EE, D29SE

Dimensions: width 340 mm, depth 200 mm, height 635 mm, weight 8 kg

! For more technical information, see page 65



DELTA

DELTA EE



DELTA COMBI

A stylish heater for small saunas

Unio

The large stone surface of the **Harvia Unio** heater ensures pleasant and humid steam in a small sauna, all the way down to the lower benches. The Harvia Unio is installed into a corner, and its output is 3.6 kW (230 V 1N-), which also gives flexibility to the electrical design. Heaters marked with the EE code are delivered with a separate splash-proof touch control panel that is easy to use. Heaters marked with the E code are controlled by a separate control unit.

⚡ 3,6 kW 📦 1,5–5,5 m³ 🍲 36 kg

Model: NK3601E, NK3601EE

Dimensions: width 365 mm, depth 227 mm, height 1070 mm, weight 14 kg

! For more technical information, see page 65



UNIO

UNIO EE





HARVIA HEATERS FOR LARGE AND PUBLIC SAUNAS

A shared moment of relaxation in pleasant heat is a shared enjoyment. Heaters used in large saunas or on a continuous basis must be efficient and durable. The humidity and temperature in the sauna must remain stable for long periods of time. The capabilities of Harvia heaters intended for public saunas make them particularly well-suited for saunas in apartment buildings and terraced houses, swimming halls, spa resorts and large corporate saunas.



A sturdy floor-mounted sauna heater for professional use

Modulo

Harvia Modulo has been designed to tolerate and provide fantastic heat and steam. The sleek design and open stone surface of Modulo create an impressive sight. Modulo is a trailblazer product by the world's largest sauna heater manufacturer and a modern sauna decorator's choice.

Harvia Modulo heaters are easy to install. The heating elements are separated from the stones, which results in a long heating element life span. Replacing a heating element is a quick and easy task, as you can just pull out the entire heating element module. Other maintenance measures were also taken into account in the heaters' design from the very start.

All heaters can be equipped with a safety railing and a protective glass sheath. A protective glass sheath is not only stylish but also prevents water from splashing around the heater.



MODULO

-  13,6–18 kW
-  11–28 m³
-  160 kg

Model: MD135, MD160, MD180

Dimensions: Width 550 mm, depth 550 mm, height 805, weight 47 kg

ACCESSORIES



Safety railing
HMD1

Protective glass wall
HMD3





A long-lasting pillar heater for demanding professional use

Tall Modulo

Modulo is also available as an impressive, tall pillar that completely reveals its open stone surface. The tall model is particularly well-suited for saunas with opposite-facing benches – the tallness of the heater creates a sense of spaciousness in the sauna and makes it the eye-catching centre of decor.

The heating elements are sturdier than in most models, which makes them exceptionally resistant to the demanding conditions in public and spa saunas. The heater's output can be modified to either 16.6 kW or 19.8 kW. Harvia Modulo heaters are also easy to install. The heaters can be equipped with a stylish safety railing.

 16,6–19,8 kW  15–30 m³  220 kg

Model: MDA1654G

Dimensions: Width 450 mm, depth 455 mm, height 1300, weight 61 kg



TALL MODULO

RECOMMENDED PRODUCTS



C170VKK control unit



Xenio CX170 control unit



Xenio CX110C Combi control unit



C260 control unit



LTY17 additional power unit

 For more technical information, see page 66



Strong, practical and simple yet stylish electric heaters

Virta

The Harvia Virta is the perfect choice for a medium-sized or large sauna when you want a sturdy structure, reliability and a sleek and modern design.

Their strong structure and exceptional ease of maintenance make Virta heaters excellently suitable for those who use the sauna often and like to enjoy the steam for long periods of time.

All connections to the Virta heater are made through the maintenance hatch on the front. There is plenty of room around the connections. The heating elements are separated from the stones, which results in a long heating element life span. If you need to replace a heating element, it is a quick and easy task, as you can just pull out the entire heating element module. Other maintenance measures were also taken into account in the heaters' design from the very start.

The **Harvia Virta** is a sturdy heater that provides soft steam for those who appreciate a traditional sauna experience. Three different power versions of the heater are available, the most high-powered version being the HL110, which is 7 cm larger in depth than the HL70 and the HL90.

⚡ 6,8–10,8 kW 📦 5–18 m³ 🍷 50/70 kg

Model: HL70, HLS70, HL90, HLS90, HL110, HLS110
 HL/HLS70–90 dimensions: Width 415 mm, depth 340 mm, height 810, weight 21 kg
 HL/HLS110 dimensions: Width 415 mm, depth 410 mm, height 810, weight 24 kg

Harvia **Virta Pro** models provide abundant heating power for saunas installed in spas, hotels and apartment buildings, for example. Thanks to its strong construction, heating elements divided into two groups and exceptional ease of maintenance, the Virta Pro heater is an excellent choice for heavy duty use.

⚡ 13,5–21,6 kW 📦 11–32 m³ 🍷 100/140 kg

Model: HL135, HLS135, HL160, HLS160, HL220, HLS220
 HL/HLS135–160 dimensions: Width 780 mm, height 810 mm, depth 340, weight 41 kg
 HL/HLS220 dimensions: Width 780 mm, height 810 mm, depth 410, weight 47 kg



VIRTA



VIRTA PRO

The **Virta Combi** is a combined electric heater and steamer that provides a variety of sauna experiences. You can select between a traditional Finnish sauna, a steam sauna, a herbal sauna or an aromatic sauna. The Combi heater is the right choice for those who enjoy soft and humid steam and the atmosphere created by fragrances. The water tank holds 5 litres – depending on the model, the tank is filled either by manually pouring water into the tank or automatically from a water outlet. The heater has a soapstone cup to hold sauna fragrances and a stainless steel grate for bagged aromatic fragrances. The Combi system is reliable and easy to use.

-  6,8–10,8 kW
-  5–18 m³
-  50/70 kg

Model: HL70S, HL70SA, HL90S, HL90SA, HLS70S, HLS70SA, HLS90S, HLS90SA, HL110S, HL110SA, HLS110S, HLS110SA
HL/HLS70–90S/SA dimensions: Width 415 mm, depth 410 mm, height 810, weight 27 kg
HL/HLS110S/SA dimensions: Width 415 mm, depth 485 mm, height 810, weight 29 kg



VIRTA COMBI

Harvia Virta Pro Combi models are intended for larger saunas that require the diversity introduced by the steamer. Gyms and wellness centres in particular can benefit from the heater’s features.

-  13,5–21,6 kW
-  11–32 m³
-  100/140 kg

Model: HL135SA, HLS135SA, HL160SA, HLS160SA, HL220SA, HLS220SA
HL/HLS135–160S/SA dimensions: Width 780 mm, depth 410 mm, height 810, weight 53 kg
HL/HLS220S/SA dimensions: Width 780 mm, depth 485 mm, height 810, weight 57 kg



VIRTA PRO COMBI

ACCESSORIES



Safety railing HL1–HL5 package includes mounting brackets (steel and black)

RECOMMENDED PRODUCTS



C170VKK control unit



Xenio CX170 control unit



Xenio CX110C control unit (for Combi heater)



LTY17 additional power unit



Heavy-duty Cilindro Pro heaters

Cilindro Pro

The **Cilindro Pro** electric heater gives off hearty steam in a family sauna, but the superior features of the heater are especially beneficial to public saunas, hotels and housing companies, for example. The impressive pillar heater contains a massive amount of stones, and the robust heating elements are designed to withstand long operating times. This guarantees plenty of hearty steam for large groups of users. When you want the most out of your heater, choose the professional quality of the world's largest sauna heater manufacturer.




The Cilindro Pro 100E/135E can be modified to either 10 or 13.2 kW. The Cilindro Pro 165E/200E heater, on the other hand, can be modified to either 16.6 or, when divided into two groups, to 19.8 kW.

The heater is equipped with a separate control unit.



**CILINDRO PRO
PC100E/135E**

**CILINDRO PRO
PC165E/200E**

-  10–19,8 kW
-  9–30 m³
-  140/220 kg

Model: PC100E/135E, PC165E/PC200E

Dimensions:

PC100E/135E width 355 mm, depth 355 mm, height 1300 mm, weight 18 kg

PC165E/PC200E width 450 mm, depth 450 mm, height 1300 mm, weight 28 kg

RECOMMENDED PRODUCTS



Xenio CX170
control unit



C170VKK
control unit



C260
control unit



LTY17
additional power unit

ACCESSORIES



Protective sheath
HPC5
(11–20 kW)



Safety railing
HPC6
(11 / 13,5 kW)



Safety railing
HPC8
(16,5 / 20 kW)



Embedding flange
HPC7
(16,5 / 20 kW)



Autodose
sauna water
dispenser
SASL1



Autodose Design
piping
SASL2M



Complete your sauna experience with Legend sauna accessories



Legend sauna bucket
SASP0100

Legend ladle
SASP0101



Legend clothes hanger
SASP0103



Legend thermometer
SASP0104




Legend sauna light
SAS21107

Handmade – stories about steam

Legend

The **Harvia Legend** provides you with the ultimate sauna experience. This large heater takes you back to the origins of heaters – it is a heater in its purest form. The patinated steel frame of the Harvia Legend contains a large amount of stones that gives off great steam even in large saunas as it heats up. Due to the open structure of the stone compartment, you can throw water on the entire outer surface of the heater. The heat charged in the large number of stones allows you to throw more water even at a lower temperature – you can enjoy delightfully humid steam in your sauna.

Due to its circular shape, the Harvia Legend heater can be installed in the middle of the sauna or embedded into the bench. The heater is controlled by a separate control unit.

-  11–16,5 kW
-  9–35 m³
-  120/220 kg

Model: P011, P0165

Dimensions:

P011 width 530 mm, depth 530 mm, height 740 mm, weight 30 kg
 P0165 width 600 mm, depth 600 mm, height 830 mm, weight 33 kg



**LEGEND
P011**



**LEGEND
P0165**

RECOMMENDED PRODUCTS



Xenio CX170
control unit



C260
control unit



C170VKK
control unit

ACCESSORIES



Safety railing
SASPO240 (Ø 850 mm)
SASPO241 (Ø 780 mm)



Safety railing with
LED lights
SASPO240L (Ø 850 mm)
SASPO241L (Ø 780 mm)



Autodose
sauna water
dispenser
SASL1



Autodose Design
piping
SASL2M



A stylish high-quality heater

Senator

The **Harvia Senator** is a floor-mounted electric heater specifically designed for those who like to spend a long time in the sauna. The large stone compartment and six heating elements warm up the sauna evenly and efficiently. A constant temperature and soft steam are ideal for enjoying the sauna for longer periods of time.

The Senator is made almost entirely of stainless steel. The heater is well-suited for family saunas or small shared saunas in terraced houses or apartment buildings.

The Senator heater is controlled by a separate control unit.



SENATOR

-  9–10,5 kW
-  8–15 m³
-  40 kg

Model: T9, T10,5

Dimensions: width 465 mm, depth 345 mm, height 660 mm, weight 19 kg

ACCESSORIES



Autodose sauna water dispenser SASL1



Autodose Design piping SASL2M

RECOMMENDED PRODUCTS



Xenio CX170 control unit



C170VKK control unit

 For more technical information, see page 70



A stylish Sauna & Spa heater

Senator Combi

The **Harvia Senator Combi** heater is a versatile combination of an electric heater and a steamer that provides gentle and warm Sauna & Spa experiences. The floor-mounted Senator Combi can create a traditional Finnish sauna, a steam sauna, a herbal sauna or a fragrant sauna – all sauna experiences in one package. The stylish stainless steel heater creates a spa atmosphere in family saunas and shared saunas in apartment buildings and terraced houses. Enjoy the beautifying and healthy power of steam by Harvia.

Senator Combi heaters are controlled by a separate control unit.

-  7–9,0 kW
-  6–14 m³
-  35 kg

Model: T7C, T7CA, T9C, T9CA

Dimensions: width 345 mm, depth 465 mm, height 660 mm, weight 20 kg



SENATOR COMBI

ACCESSORIES



Autodose
sauna water
dispenser
SASL1



Autodose Design
piping
SASL2M

RECOMMENDED PRODUCTS



Xenio Combi
CX110C
control unit



C105S Logix
control unit

 For more technical information, see page 70



A super heater for a large club

Club

The **Harvia Club** heater is a heavy duty heater with enough steam for a large group of users, from morning till night. Heaters used in large saunas or on a continuous basis must be functional, efficient and comfortable to use. The impressive floor-mounted Club electric heater with a steel outer shell is perfect for this purpose after all, it represents the world-famous quality of Harvia. Equipped with a separate control unit, the Club super heater is excellently suited for apartment buildings, hotels, holiday resorts, sports centres and swimming halls as well as large family saunas. Choose Club when you demand super power and durability from your heater.

-  11–15 kW
-  9–24 m³
-  60 kg

Model: K11G, K13,5G, K15G
 Dimensions: width 505 mm, depth 430 mm, height 700 mm, weight 25 kg



CLUB

ACCESSORIES



Autodose sauna water dispenser SASL1



Autodose Design piping SASL2M

RECOMMENDED PRODUCTS



Xenio CX170 control unit



C260 control unit



C170VKK control unit

 For more technical information, see page 71

A super heater combined with a steamer for heavy duty use

Club Combi

The **Harvia Club Combi** is a combination of an electric heater and a steamer that offers a variety of sauna experiences, such as a traditional sauna, a steam sauna, a herbal sauna or a fragrance sauna. The super-efficient Club Combi combination heater is designed to have enough steam for a large group of users, from morning till night.

The stylish, floor-mounted Club Combi electric heater made of stainless steel represents the world-famous quality of Harvia. When you wish to experience or provide your customers with true Sauna & Spa experiences, familiarise yourself with the super-efficient Club Combi models.

K10,5S is controlled by a separate control unit, e.g. Xenio Combi CX110C. K13,5GS and K15GS models requires a separate control unit and additional power unit, e.g. Xenio Combi CX110C and LTY.

 10,5–15 kW  9–24 m³  60 kg

Model: K11GS, K13,5GS, K15GS

Dimensions: width 505 mm, depth 490 mm, height 700 mm, weight 30 kg

 For more technical, see page 71



CLUB COMBI

RECOMMENDED PRODUCTS



Xenio Combi CX110C control unit



C105S Logix control unit



LTY17 additional power unit

Professional sauna enjoyment

Profi

The **Harvia Profi** heater is designed to be a super heater that provides ample steam for large groups from morning till night. The heater is suitable for apartment buildings, hotels, holiday resorts, sports centres and spas etc. Heaters used in large saunas or on a continuous basis must be functional, efficient and easy to use. The range of floor-mounted Profi heaters is of world-famous Harvia quality that will not pale in comparison. Most importantly, the Profi heater provides your demanding customers with professional sauna enjoyment and moments of relaxation.

Profi heaters are controlled by a separate control unit.

 20–33 kW  18–66 m³  100 kg

Model: L20, L26, L30, L33

Dimensions: width 500 mm, depth 900 mm, height 730 mm, weight 60 kg

 For more technical information, see page 72



PROFI

RECOMMENDED PRODUCTS



Xenio CX170 control unit



C260 control unit



LTY17 additional power unit



Effortless use of the sauna with control units

Harvia control units

Harvia control units make sauna baths – and especially preparing them – very relaxing. Harvia’s versatile selection of control units is sure to offer something for your needs, from reliable, manually operated one-heater basic units to new-generation digital units that control all the electric functions of your sauna – down to ventilation and lighting. Of course, this also includes perfect temperature adjustments – with one-degree accuracy – for you or a larger group of bathers, exactly when you want it. Let the world’s largest sauna heater and stove manufacturer take care of the technology and focus on enjoying a ready-made sauna experience.

Easy upgrading of your sauna with a control unit

Versatile use and connection to the building automation allows for use in many kinds of situations, such as remote use, and separate safety equipment, including door switches and additional safety equipment for the sauna heater. In the future, you will be able to replace just the heater, without replacing your control unit. An option for the control unit should be considered in the planning stage (cabling), as this will allow installation and use of a control unit at a later time.



Control with just a touch

Xenio

The **Harvia Xenio** control unit provides a modern and subtly stylish interface for controlling the heart of the sauna, be it a traditional electric heater, Combi heater with a steamer or infrared radiator. The compact yet clear touch control panel can be surface-mounted in almost any space – sauna, washroom, dressing room or even the living room. The control panel shows you when the sauna is at the right temperature for bathing.



Reliable basic control unit

C series

The control units of **Harvia C series** are manually used and reliable basic control units that allow you to easily control the temperature and the heater's on-time from 1 to 12 hours, depending on the needs of the sauna-goers. The control units can be used to control the heater of both family saunas and public saunas (2.3 – 17 kW). Reliable Harvia quality. The delivery includes a separate temperature sensor with a 4-metre cable.



Simply stylish control unit

Senlog

Harvia Senlog is a simply stylish control unit. Senlog offers an easy interface for controlling the heart of a sauna, the sauna heater. You can install the control panel in any dry space. With the Senlog control unit, you can control not only the heater but also the lighting and ventilation in the sauna room.







Control unit with week timer

C170VKK









The **Harvia C170VKK** control unit with a week timer makes using the heater and the entire sauna very convenient. The new model is easy to install when replacing the old C150VKK – you have the use of old familiar features and functional new features in one. Designed for communal saunas, such as saunas in housing companies, spas and swimming halls. The control unit contains versatile week timer control and remote start features. The easy-to-use touchscreen allows you to control all the necessary functions, such as the electric sauna heater, lighting, ventilation, electronic locks and the safety device connection.



Control unit

FEATURES	Separate control + power unit			
	XENIO CX170	XENIO CX110	XENIO COMBI CX110C	XENIO INFRA CX36I
				
Maximum control power	17 kW 3N- 400 V	11 kW 3N- 400 V	11 kW 3N- 400 V	3,6 kW 1N- 230 V
Electric heater control	X	X	X	
Combi heater control			X	
Infrared sauna control				X
Lighting control	X	X	X	X
Color lights control				
Operation time adjustment range	1-6 h / 0-12 h	1-6 h / 0-12 h	1-6 h / 0-12 h	1-12 h
Temperature setting	X	X	X	X
Preselection timer	0-12 h	0-12 h	0-12 h	
Air humidity setting			X	
Evaporator control			X	
Ventilator control	X		X	
Settings memory in case of power outage	X	X	X	X
Screen	Digital	Digital	Digital	Digital
Fault diagnosis	X	X	X	X
Digital thermometer	X	X	X	X
Remote switch-on	on / off		on / off	
Weekly timer				
Door switch control	X		X	
Safety switch control	X		X	
Child lock	X		X	
Additional power unit	LTY17		LTY17C	LX3620IL
Temperature sensor	X	X	X	X
Humidity sensor			X	
Dual sensor system (temperature can be measured with multiple sensors)	X		X	

Control and power unit combined

C150	C150VKK	C170VKK	C260	C1055 LOGIX	SENLOG CF9	SENLOG COMBI CF9C
						
17 kW 3N- 400 V	17 kW 3N- 400 V	17 kW 3N- 400 V	16A, max. 22 kW 25A, max. 34 kW 400 V 3N-	Max. 10,5 kW (K15GS, max. 15,5 kW) 400 V 3N-	9 kW	9 kW
X	X	X	X	X	X	X
				X		X
X		X		X	X	X
1-12 h	6, 12 or 18 h	1-6 h / 0-12 h	6, 12 or 18 h	0-12 h	6 h	6 h
X	X	X	X	X	X	X
0-12 h				0-12 h		
				X		X
				X		X
		X		X		
		X				
Digital	Touchscreen	Digital	Digital	Digital	Analog	Analog
X	X	X	X	X	X	X
X	X	X	X	X		
	on / off, pulse	on / off	on / off, pulse			
	X	X	X			
		X				
		X				
		X				
		LTY17		LTY17 / LTY17C		
X	X	X	X	X	X	X
		X	 For more technical information, see page 73			



Ensure safe heat

Safety equipment and safety switches

The sauna experience improves considerably when you feel safe. It is much easier to relax when you do not have to be careful when moving about the sauna. The significance of safety is highlighted in families with children in particular, and it is usually among the most important factors when it comes to saunas. Young children can enjoy the heat of the sauna as much as adults do, but they rarely have the patience to keep still for a long time, which may lead to dangerous situations taking you by surprise. Safety is also a very important part of the sauna for elderly sauna bathers.

Avoid accidents by making the right choices

Safety is an essential and important part of the sauna experience. In fact, Harvia offers a comprehensive selection of different kinds of solutions to improve safety. These include:

A sauna heater safety railing is a wooden railing installed around a sauna heater for the simple purpose of preventing sauna bathers from touching the heater. The safety railing provides the sauna with an impressive look in addition to safety, which is why we recommend that one be installed in every sauna. Anyone can lose their balance when standing up from the bench after a sauna session.

The protective sheath of a sauna heater is attached directly to the side of the heater. The sheath conforms to the shape of the heater and creates a smoother whole. A protective sheath reduces safety distances, allowing the heater to be installed nearer to the sauna's wall or benches in a fire safe manner. Depending on the heater model, one or two protective sheaths can be attached.





The door switch system is easy to connect to the control unit, ensuring the safe remote use of the sauna in accordance with EU standards. The door switches ensure the safety of the sauna before the electric sauna heater is switched on. The switches are installed discreetly onto the sauna door.

The safety switch is installed above the sauna heater. The switch always monitors the heater's operation when the heater is turned on. It switches the power off immediately if anything falls on the safety device and stops the sauna heater from switching on.

A sauna heater control unit is another good way to affect safety. With the placement of a separate control unit, digital control panel or wireless Spot control switch, you can ensure that children cannot switch the heater on by accident, for example. Harvia's product range also includes child-proof versions of traditional heater models, equipped with fixed operating switches.

Safety equipment completes the design – create an atmosphere with lighting

Sauna design and safety do not exclude each other. At their best, they support each other. The clear and sleek design of the safety equipment is a perfect fit with current sauna trends.

You can boost the ambience and impressive look of your sauna further by choosing an illuminated safety railing or by equipping the built-in safety railing in your bench solution with a LED light strip.

*Please see
sauna heaters
compatible with
the safety switch
on page 74*



Add to the atmosphere of your sauna with lighting

Harvia lighting



Sauna lights

Choose from two colour options: steel or black. The stylish sauna light is a combination of steel and wood and measures 230 x 180 x 90 mm (width x height x depth). The package includes the lamp and a lampshade. Protection rating IP44, E14 bulb (max. 40 W) not included in the delivery.



LED strip

Indirect lighting based on LED strips is the perfect way to add to the warm atmosphere of your sauna. The LED strips can be easily integrated into sauna benches, for example into the backrest or the front edge of the upper bench. The LED strips are always tailored to suit the benches. The maximum installation height of the LED lights is 1,600 mm. The delivery includes the LED strips, connection cables to the transformer, a terminal strip and a transformer (230 V/12 V). The transformer must be installed in an IP44 rated case and no higher than 500 mm off the floor. A single transformer is enough for 10 m of LED strips.



Illuminated safety railing

Harvia illuminated safety railings increase the lighting, but also the safety of sauna bathers. Safety railing LED light strip illuminates the heater's stones impressively. Made of heat-treated aspen, the railings add a stylish and pleasant touch to the decor of the sauna.



Illuminated embedding flange

An illuminated embedding flange is the perfect pair for the bench-embedded sauna heaters. Made of stainless steel, the embedding flange also protects from the heat radiation, thanks to which the embedding hole is only slightly larger than the heater, making the integration look unified. The LED lights shining up from the bottom accentuate the fractured surfaces of the sauna stones, making throwing water on the stones a sight to behold.



Illuminated bucket – the brilliant container for sauna water

Harvia's illuminated bucket is a modern and practical container for water. It creates ambient lighting in the sauna – exactly where it is needed. You can either embed the illuminated bucket into the bench or mount it on top of the bench to ensure that it always has its own place in the sauna. The LED light in the base illuminates the bucket evenly, and the bucket also casts soft light on its surroundings. The bucket is made of optical plastic for optimal light dispersion. The bucket can easily be lifted off the base for refilling and cleaning. The separate base also ensures that the bucket's electrical components stay protected.



Luminous fibre optic lights – a stylish lighting solution

The Harvia Luminous fibre optic lights provide stylish lighting solutions for both saunas and steam rooms. The flexible fibre optics can be used to add a beautiful starry sky or a variety of graphic patterns to the ceiling or walls of your sauna. Luminous fibre optic lighting is available as different assemblies.





Complete your sauna with Harvia accessories

Harvia accessories



Embedding flanges

With a stylishly slick embedding flange, you can embed your heater in the bench, giving your sauna an impressive and sleek look. The embedding flange is made of stainless steel. You can find more information on heater-specific embedding flanges at www.harvia.fi.



Sauna loudspeakers

Add to the atmosphere in your sauna with Harvia sauna loudspeakers. Connect the loudspeakers to your music player to enjoy your favourite music in the sauna. Harvia sauna loudspeakers are completely water-proof and well-suited for humid rooms, as their IP rating is IP65. Colour options: white or steel. Be sure to plan the wiring before beginning the panelling process. Tip! If you also install loudspeakers in the washroom and dressing room, you will be able to hear the music in every room.



Decorative stone wall

Harvia decorative stone wall helps you to easily create a stylish sauna. It can easily be attached directly onto the sauna panelling. Decorative stone wall is made of quality ceramic stone imitation. The size of the wall element, which is designed for Harvia's ready-made-saunas, is 534 x 1870 mm. The lower part of the decorative stone wall element is made of stylish brushed steel, on which you can mount a heater. Harvia also offers decorative stone wall for higher saunas. The size of this model is 534 x 2040 mm.

Protective illuminated glass sheath for wall-mounted sauna heaters

Harvia’s protective glass sheath (HSW5L /HSW5) is a recommended way to increase the safety of sauna bathers around a wall-mounted sauna heater. Made of opti white glass, this beautiful and airy-looking protective sheath completes your sauna interior. The protective glass sheath is tempered, making it safe to use. The protective sheath reflects soft LED light beautifully and completes the ambience of your sauna interior. The protective glass is also available without illumination.



Embedding flange for wall-mounted heaters

Harvia’s embedding flange for wall-mounted heaters HSW1 is a perfect match for heaters such as The Wall E and EE when embedded into a sauna bench. This stainless steel embedding flange also provides protection from heat radiation. The installation hole is only slightly larger than the heater, making the integration look unified.



Autodose sauna water dispenser

Forget the bucket and ladle, here comes an automated water dispenser. Just relax and press a button to apply water onto the stones – with or without a fragrance. Spa saunas benefit from the even air humidity and the simplified approach to throwing sauna water.

The device consists of a main unit and operating buttons. The delivery includes one button for water and another button for a water-fragrance mixture. The device works either automatically at defined intervals or at the press of a button. When the device is in automatic mode and water is applied by pushing the button, the timer for the dosing interval restarts.



Design piping for the Autodose automated water dispenser

The stylish and modern Autodose design heater water piping is installed above the sauna heater. An unobtrusive special nozzle will direct the water on a large area, providing a fantastic sauna bath.

The simple design of the piping is well-suited to many different sauna interiors. The piping can also be integrated through the sauna’s wall panel, thus hiding the piping and maintaining a clearer sauna interior.

The design piping is suited to heaters of different sizes and its distance can be adjusted based on the size of the heater. The design piping is compatible with the Harvia Autodose automated water dispenser, but it can also be used without (requires separate water control).

Harvia sauna accessories

Harvia’s selection of sauna accessories offers everything from high-quality sauna stones to water buckets and ladles, sauna whisks, sauna fragrances and firewood racks.



HARVIA

Technical Data

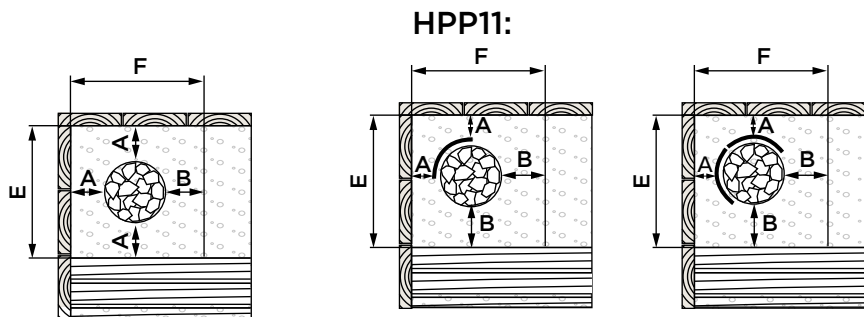
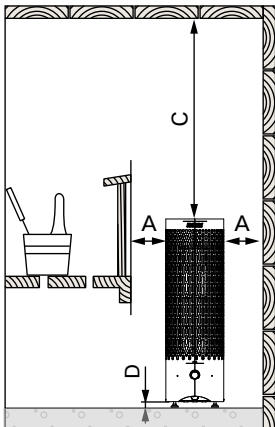


Cilindro Plus, Cilindro Plus Spot

TECHNICAL DATA						
Heater model	Power kW	Dimensions width x depth x height mm	Weight kg	Stone capacity max. kg	Recommended sauna room size min.-max. m ³	Sauna room height min. mm
PP70 / PP70E / PP70SP	6,8	310 x 310 x 1020	11,5 / 11	90	6-10	1900
PP90 / PP90E / PP90SP	9,0	310 x 310 x 1020	12,2 / 11,7	90	8-14	1900

ELECTRICAL CONNECTIONS						
Heater model	400 V 3N-		230 V 3-		230 V 1N-	
	Fuse A	Connecting cable mm ²	Fuse A	Connecting cable mm ²	Fuse A	Connecting cable mm ²
PP70 / PP70E / PP70SP	3 x 10	5 x 1,5	3 x 16	4 x 1,5	35	3 x 6
PP90 / PP90E / PP90SP	3 x 16	5 x 2,5	3 x 25	4 x 2,5	50	3 x 10

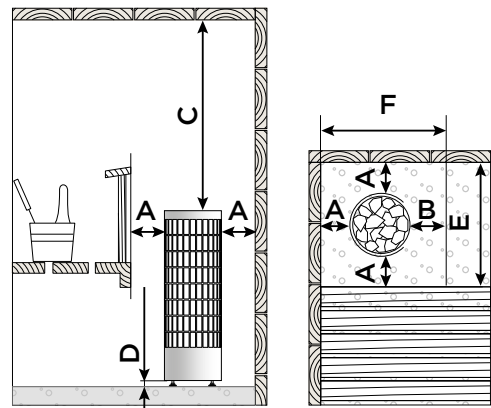
SAFETY DISTANCES						
Heater model	A	B	C	D	E	F
PP70 / PP70E / PP70SP	100	100	880	20	510	510
PP90 / PP90E / PP90SP	100	100	880	20	510	510
HPP11 (option)	30	100	880	20	440	440



Cilindro

TECHNICAL DATA						
Heater model	Power kW	Recommended sauna room size min.-max. m ³	Sauna room height min. mm	Stone capacity max. kg	400 V 3N-	
					Connecting cables mm ²	Fuse A
PC 66/E	6,6	5-9	1900	75	5 x 1,5	3 x 10
PC70/F	6,8	6-10	1900	80	5 x 1,5	3 x 10
PC70E/HE	6,8	6-10	1900	90	5 x 1,5	3 x 10
PC90/H/F	9,0	8-14	1900, F:2100	80	5 x 2,5	3 x 16
PC90E/HE	9,0	8-14	1900	90	5 x 2,5	3 x 16
PC1100EE/HE	10,8	9-18	1900	120	5 x 2,5	3 x 16
PC110HEE/HE	10,8	9-18	1900	120	5 x 2,5	3 x 16

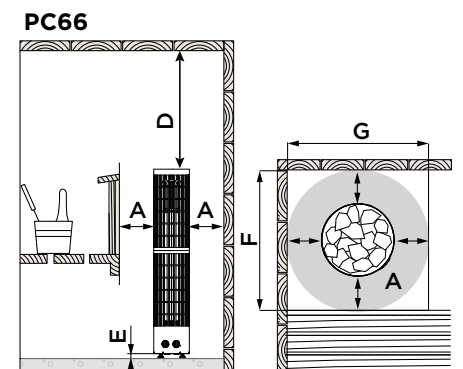
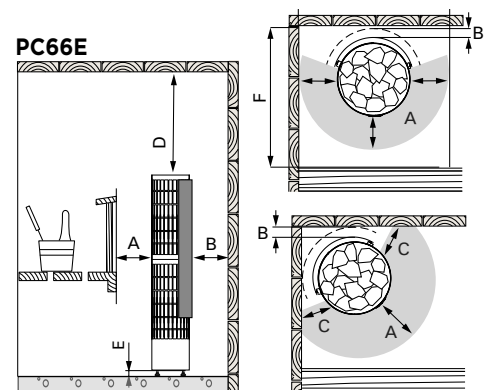
SAFETY DISTANCES						
Heater model	A min. mm	B min. mm	C min. mm	D min. mm	E min. mm	F min. mm
PC70E/EE	100	100	950	30	520	520
PC70H/HE/HEE	30	100	950	30	420	470
PC70F	30	30	950	30	420	420
PC90E/EE	100	100	950	30	520	520
PC90H/HE/HEE	30	100	950	30	420	470
PC90F	30	30	1150	30	420	420
PC1100EE/E	100	100	830	30	565	565
PC110HEE/HE	30	100	830	30	455	510



SAFETY DISTANCES PC 66/66E								
Heater model	A min. mm	B min. mm	C min. mm	D min. mm	E 3N- min. mm	E 1N- min. mm	F min. mm	G min. mm
PC66	100	-	-	540	30	50	455	455
PC66E	100	30	60	540	30	50	405	405

Heater dimensions:

- Cilindro/E/EE: width 320 mm, depth 320 mm, height 930 mm, weight 10 kg
- Cilindro 66/66E: width 255 mm, depth 255 mm, height 1340 mm, weight 11 kg
- Cilindro H/HE/HEE: width 360 mm, depth 340 mm, height 930 mm, weight 17 kg
- Cilindro F: width 360 mm, depth 360 mm, height 930 mm, weight 17 kg
- Cilindro 110EE: width 365 mm, depth 365 mm, height 1070 mm, weight 13 kg
- Cilindro 110HEE/VHEE: width 395 mm, depth 380 mm, height 1070 mm, weight 17 kg

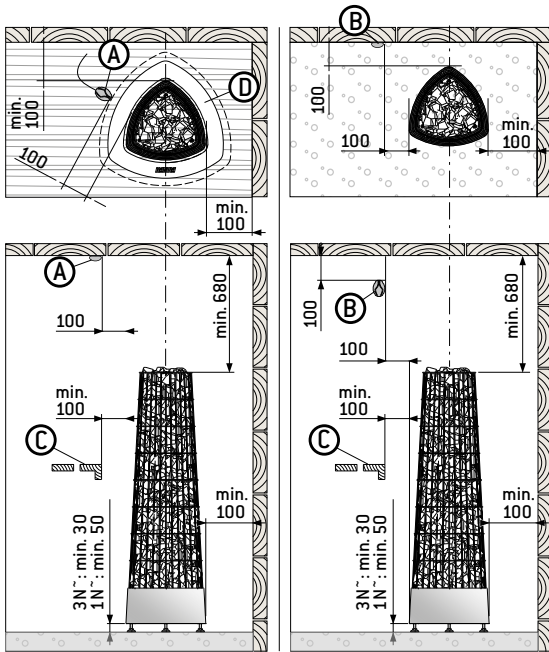


Kivi

TECHNICAL DATA						
Heater model	Power kW	Recommended sauna room size min.-max. m ³	Sauna room height min. mm	Stone capacity max. kg	400 V 3N-	
					Connecting cables mm ²	Fuse A
PI70 / PI70E	6,9	6-10	1900	100	5 x 1,5	3 x 10
PI90 / PI90E	9,0	8-14	1900	100	5 x 2,5	3 x 16

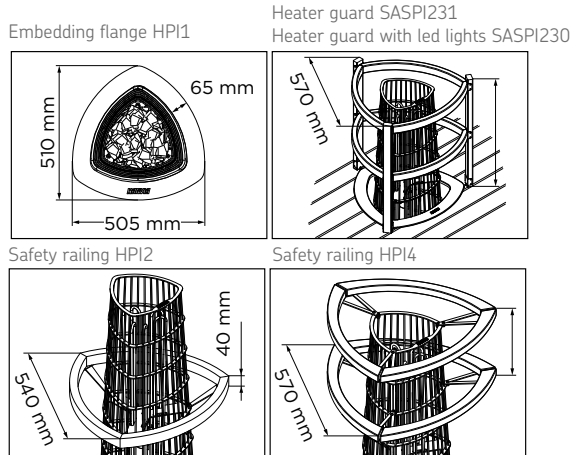
Heater dimensions: width 370 mm, depth 370 mm, height 1200 mm, weight 15 kg

SAFETY DISTANCES



- A. Sensor (installed on ceiling)
- B. Sensor (installed on wall)
- C. Bench or safety railing
- D. Embedding flange HPI1 (accessory). See installation instructions of the flange before making a hole in the bench.

ACCESSORIES



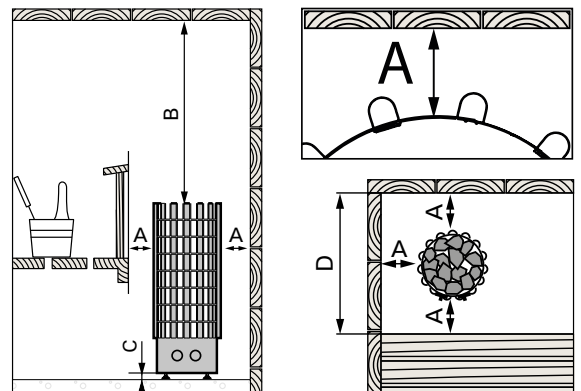
Glow

TECHNICAL DATA									
Heater model	Power kW	Recommended sauna room size min.-max. m ³	Sauna room height min. mm	Stone capacity max. kg	400 V 3N-		230 V 1N-		
					Connecting cables mm ²	Fuse A	Connecting cables mm ²	Fuse A	
TRT70 / TRT70E / TRT70EE	6,8	6-10	1900	80	5 x 1,5	3 x 10	3 x 6	1 x 35	
TRT90 / TRT90E / TRT90EE	9,0	8-14	1900	90	5 x 2,5	3 x 16	3 x 10	1 x 40	

Heater dimensions: width 364 mm, depth 364 mm, height 1076 mm, weight 14 kg

SAFETY DISTANCES

Heater model	A	B	C		D
			3N-	1N-	
TRT70 / TRT70E / TRT70EE	100	850	30	50	570
TRT90 / TRT90E / TRT90EE	100	850	30	50	570

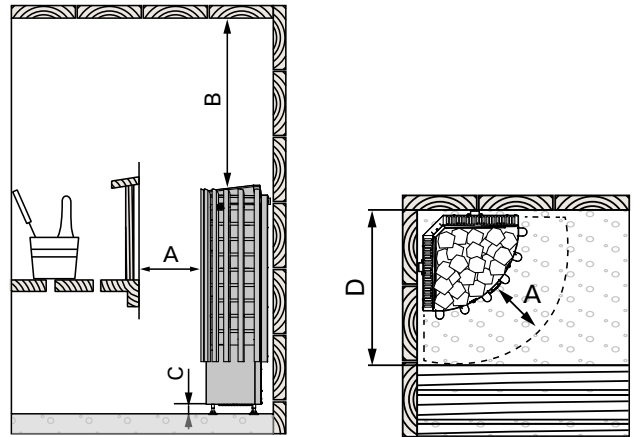


Glow corner

TECHNICAL DATA								
Heater model	Power kW	Recommended sauna room size min.-max. m ²	Sauna room height min. mm	Stone capacity max. kg	400 V 3N-		230 V 1N-	
					Connecting cables mm ²	Fuse A	Connecting cables mm ²	Fuse A
TRC70 / TRC70E / TRC70EE	6,8	6-10	1900	50	5 x 1,5	3 x 10	3 x 6	1 x 35
TRC90 / TRC90E / TRC90EE	9,0	8-14	1900	50	5 x 2,5	3 x 16	3 x 10	1 x 40

Heater dimensions: width 330 mm, depth 330 mm, height 1100 mm, weight 16,5/19,7 kg

SAFETY DISTANCES TRC				
Heater model	A	B	C	D
TRC70 / TRC70E / TRC70EE	100	800	20	430
TRC90 / TRC90E / TRC90EE	100	800	20	430



Globe

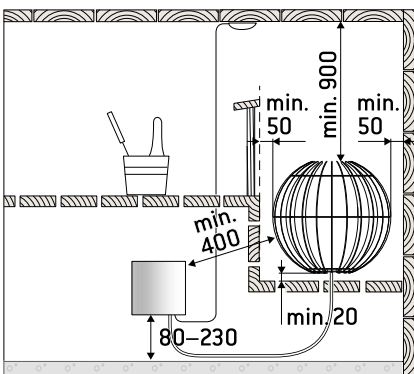
TECHNICAL DATA							
Heater model	Power kW	Recommended sauna room size min.-max. m ²	Sauna room height min. mm	Stone capacity max. kg	Diameter mm	400 V 3N-	
						Connecting cable mm	Fuse A
GL70 / GL70E	6,9	6-10	1900	50	430	5 x 1,5	3 x 10
GL110 / GL110E	10,5	9-15	1900	80	500	5 x 2,5	3 x 16

Heater dimensions:

GL70: width 430 mm, depth 430 mm, height 395 mm, weight 10 kg

GL110: width 500 mm, depth 500 mm, height 475 mm, weight 14 kg

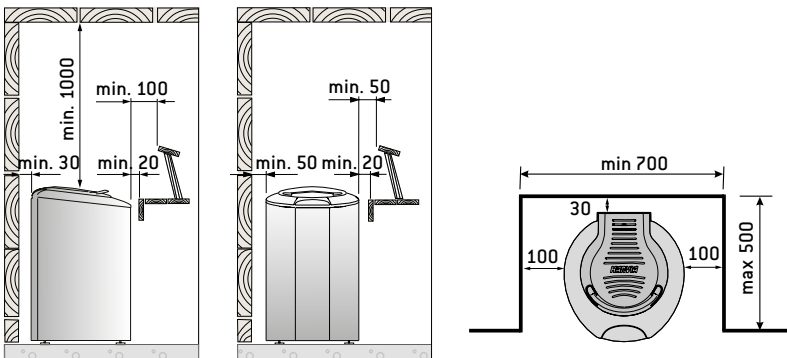
SAFETY DISTANCES



Forte

TECHNICAL DATA						
Heater model	Power kW	Recommended sauna room size min.-max. m ³	Sauna room height min. mm	Stone capacity max. kg	400 V 3N-	
					Connecting cables mm ²	Fuse A
AFB4	4,0	5-8	1900	100	5 x 1,5	3 x 10
AFB6	6,0	7-12	1900	100	5 x 1,5	3 x 10
AFB9	9,0	10-15	1900	100	5 x 2,5	3 x 16

Heater dimensions: width 500 mm, depth 535 mm, height 830 mm, weight 30 kg



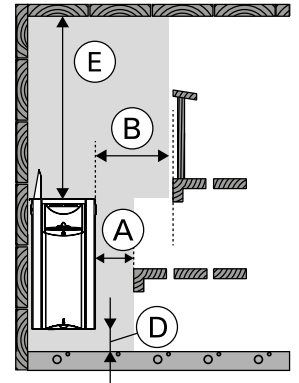
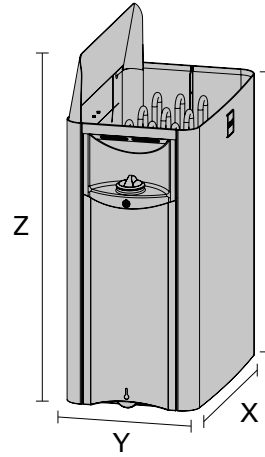
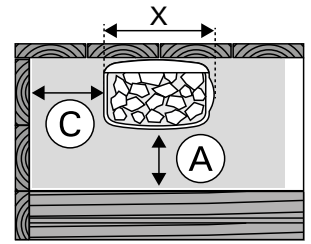
The Wall, The Wall E

TECHNICAL DATA						
Heater model	Power kW	Dimensions width x depth x height mm	Weight kg	Stone capacity max. kg	Recommended sauna room size min.-max. m ³	Sauna room height min. mm
SW45 / SW45E	4,5	430 x 260 x 610	11	20	3-6	1900
SW60 / SW60E	6,0	430 x 260 x 610	12	20	5-8	1900
SW80	8,0	430 x 260 x 700	14	20	7-12	1900
SW90/SW90E	9,0	430 x 260 x 700	15/11	20	8-14	1900

ELECTRICAL CONNECTIONS						
Heater model	400 V 3N-		230 V 3N-		230V 1N-	
	Connecting cable mm ²	Fuse A	Connecting cable mm ²	Fuse A	Connecting cable mm ²	Fuse A
SW45 / SW45E	5 x 1,5	3 x 10	4 x 1,5	16	2,5	25
SW60 / SW60E	5 x 1,5	3 x 10	4 x 1,5	16	6	35
SW80	5 x 2,5	3 x 16	4 x 2,5	25	6	35
SW90/SW90E	5 x 2,5	3 x 16	4 x 2,5	25	10	50

SAFETY DISTANCES					
Heater model	A	B	C	D	E
SW45/SW45E	20	35	35	80	1200
SW60	30	40	40	80	1200
SW60E	30	40	50	80	1200
SW80	30	70	70	80	1200
SW90	30	70	80	80	1200
SW90E	30	80	80	80	1200

MIN. SPACE REQUIREMENT			
Heater model	C + X + C	Y + A	Height min.
SW45	500	280	1900
SW60	510	290	1900
SW80	570	290	1900
SW90	590	290	1900
SW45E	450	280	1900
SW60E	480	290	1900
SW90E	540	290	1900

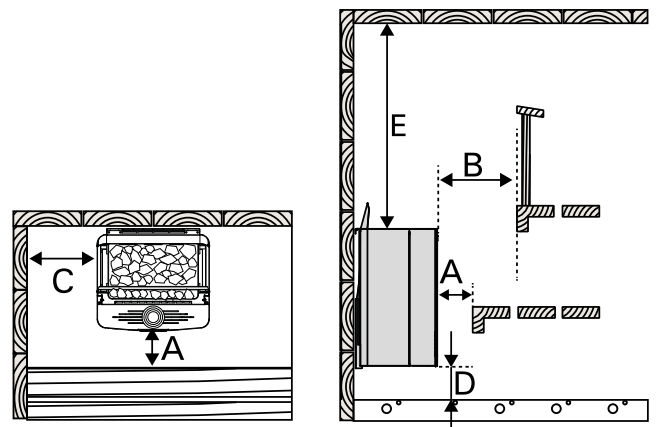


The Wall Combi

TECHNICAL DATA								
Heater model	Power kW	Vaporizer		Dimensions width x depth x height mm	Weight kg	Stone capacity max. kg	Recommended sauna room size min.-max. m ³	Sauna room height min. mm
		Power	Max. vaporisation					
SW45S / SW45SA	4,5	2,0	2,5	380 x 355 x 710	16,0	20	5-10	1900
SW70S / SW70SA	7,0	2,0	2,5	380 x 355 x 710	16,8	20	8-14	1900
SW90S / SW90SA	9,0	2,0	2,5	380 x 355 x 710	16,8	20	9-18	1900

ELECTRICAL CONNECTIONS							
Heater model	Power kW	Heater	Vaporizer kW	Fuse A	Connecting cable mm ²		
					A	B	A + B
SW45S / SW45SA	4,5	2 x 2260 W	2,0	3 x 10	5 x 1,5	2 x 1,5	7 x 1,5
SW70S / SW70SA	7,0	3 x 2260 W	2,0	3 x 10	5 x 1,5	2 x 1,5	7 x 1,5
SW90S / SW90SA	9,0	3 x 3000 W	2,0	3 x 16	5 x 2,5	2 x 2,5	7 x 2,5

SAFETY DISTANCES					
Heater model	A	B	C	D	E
SW45S / SW45SA	20	20	35	80	1200
SW70S / SW70SA	20	20	70	80	1200
SW90S / SW90SA	20	20	80	80	1200

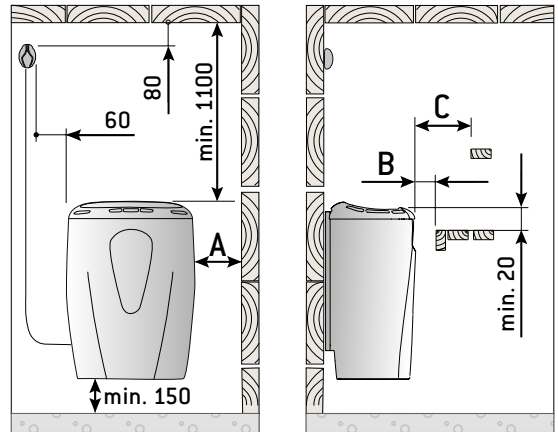


Moderna

TECHNICAL DATA						
Heater model	Power kW	Recommended sauna room size min.-max. m ²	Sauna room height min. mm	Stone capacity max. kg	400 V 3N-	
					Connecting cables mm ²	Fuse A
V45E	4,5	3-6	1900	20	5 x 1,5	3 x 10
V60E	6,0	5-8	1900	20	5 x 1,5	3 x 10
V80E	8,0	7-12	1900	20	5 x 2,5	3 x 16

Heater dimensions: width 410 mm, depth 310 mm, height 580 mm, weight 15 kg

SAFETY DISTANCES			
Heater model	A min. mm	B min. mm	C min. mm
V45E	35	20	35
V60E	40	30	50
V80E	70	30	60

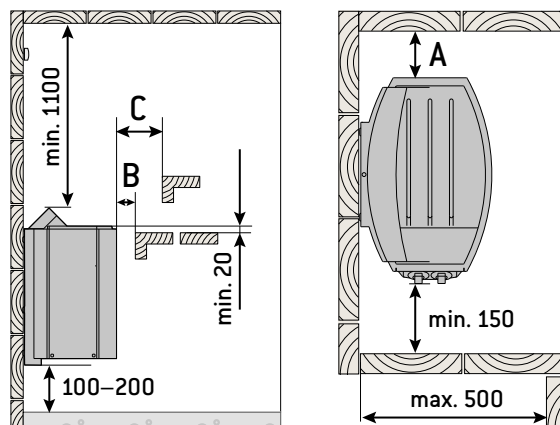


Vega

TECHNICAL DATA						
Heater model	Power kW	Recommended sauna room size min.-max. m ²	Sauna room height min. mm	Stone capacity max. kg	400 V 3N-	
					Connecting cables mm ²	Fuse A
BC45	4,5	3-6	1900	20	5 x 1,5	3 x 10
BC60	6,0	5-8	1900	20	5 x 1,5	3 x 10
BC80	8,0	7-12	1900	20	5 x 2,5	3 x 16

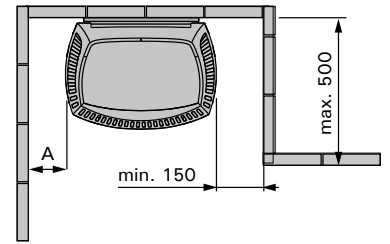
Heater dimensions: width 480 mm, depth 310 mm, height 540 mm, weight 11 kg

SAFETY DISTANCES			
Heater model	A min. mm	B min. mm	C min. mm
BC45	35	20	35
BC60	50	30	50
BC80	100	30	80



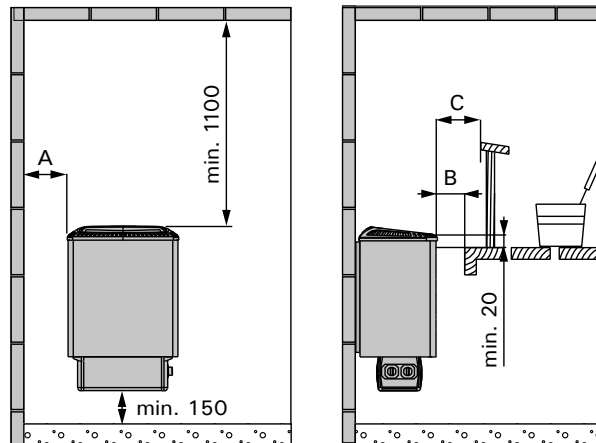
Top steel

TECHNICAL DATA						
Heater model	Power kW	Recommended sauna room size min.-max. m ³	Sauna room height min. mm	Stone capacity max. kg	400 V 3N-	
					Connecting cables mm ²	Fuse A
M45 / M45E	4,5	3-6	1900	20	5 x 1,5	3 x 10
M60 / M60E	6,0	5-8	1900	20	5 x 1,5	3 x 10
M80 / 80E	8,0	7-12	1900	20	5 x 2,5	3 x 16
M90E	9,0	8-14	1900	20	5 x 2,5	3 x 16



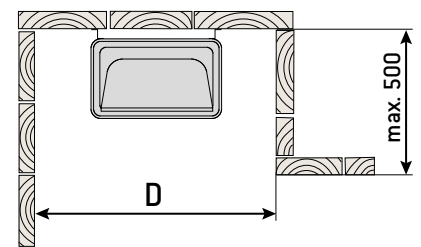
Heater dimensions: width 410 mm, depth 290 mm, height 650 mm, weight 16 kg

SAFETY DISTANCES			
Heater model	A min. mm	B min. mm	C min. mm
M45 / M45E	35	20	35
M60 / M60E	50	30	50
M80 / 80E	100	30	80
M90E	120	40	100



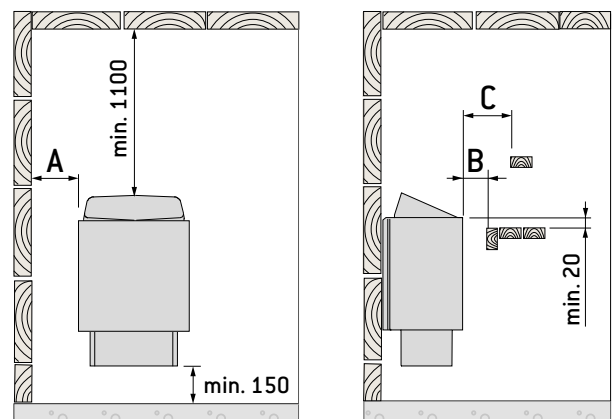
KIP

TECHNICAL DATA						
Heater model	Power kW	Recommended sauna room size min.-max. m ³	Sauna room height min. mm	Stone capacity max. kg	400 V 3N-Connecting cables mm ²	Fuse A
KIP45	4,5	3-6	1900	25	5 x 1,5	3 x 10
KIP60	6,0	5-8	1900	25	5 x 1,5	3 x 10
KIP80	8,0	7-12	1900	25	5 x 1,5	3 x 16



Heater dimensions: width 410 mm, depth 280 mm, height 600 mm, weight 16 kg

SAFETY DISTANCES				
Heater model	A min. mm	B min. mm	C min. mm	D min. mm
KIP45	35	20	35	480
KIP60	50	30	50	510
KIP80	100	30	80	610

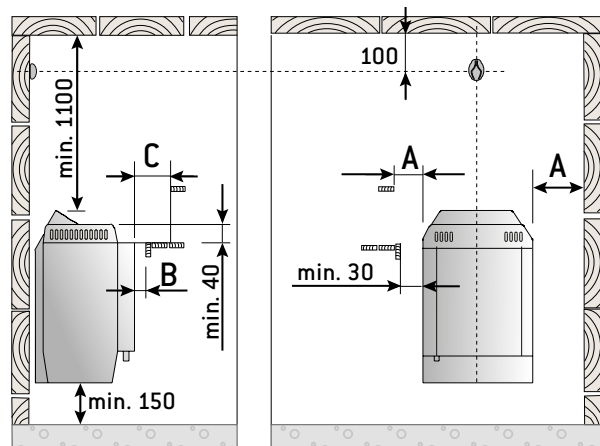


Topclass Combi

TECHNICAL DATA						
Heater model	Power kW	Recommended sauna room size min.-max. m ³	Sauna room height min. mm	Stone capacity max. kg	400 V 3N-	
					Connecting cables mm ²	Fuse A
KV60SE / KV60SEA	6,0	5-8	1900	20	5 x 1,5 + 2 x 1,5	3 x 10
KV80SE / KV80SEA	8,0	7-12	1900	20	5 x 2,5 + 2 x 2,5	3 x 16
KV90SE / KV90SEA	9,0	8-14	1900	20	5 x 2,5 + 2 x 2,5	3 x 16

Heater dimensions: width 400 mm, depth 360 mm, height 640 mm, weight 16 kg

SAFETY DISTANCES			
Heater model	A min. mm	B min. mm	C min. mm
KV50SE / KV50SEA	35	10	20
KV60SE / KV60SEA	50	10	60
KV80SE / KV80SEA	100	10	90
KV90SE / KV90SEA	120	10	100

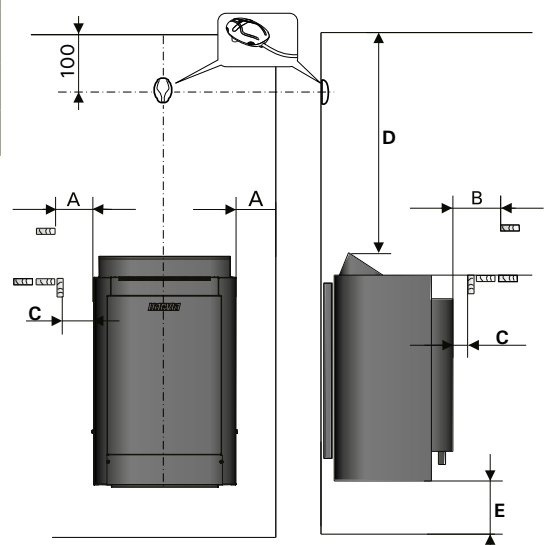


Combinator

TECHNICAL DATA								
Heater model	Power kW	Vaporizer		Dimensions width x depth x height mm	Weight kg	Stone capacity max. kg	Recommended sauna room size min.-max. m ³	Sauna room height min. mm
		Output kW	Max. vaporisation efficiency kg/h					
KM60SE	6,0	2,0	2,5	400 x 330 645	16	25	5-8	1900
KM80SE	8,0	2,0	2,5	400 x 330 x 645	16	25	7-12	1900

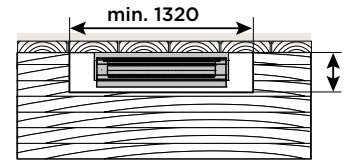
ELECTRICAL CONNECTIONS							
Heater model	Power kW	Heater	Vaporizer kW	Fuse A	Connecting cable mm ²		
					A	B	A + B
KM60SE	6,0	6,0	2,0	3 x 10	5 x 1,5	2 x 1,5	7 x 1,5
KM80SE	8,0	8,0	2,0	3 x 16	5 x 1,5	2 x 2,5	7 x 1,5

SAFETY DISTANCES					
Heater model	A	B	C	D	E
KM60SE	50	60	10	1100	150
KM80SE	100	90	10	1100	150



Sauna Steamer

TECHNICAL DATA					
Model	Power kW	Water tank	Vaorisation efficiency l/h	230 V 1N-	
				Connecting cables mm ²	Fuse A
SS20	2,0	5,5	ca. 2,5	3 x 1,5	1 x 10
SS20A	2,0	5,5	ca. 2,5	3 x 1,5	1 x 10



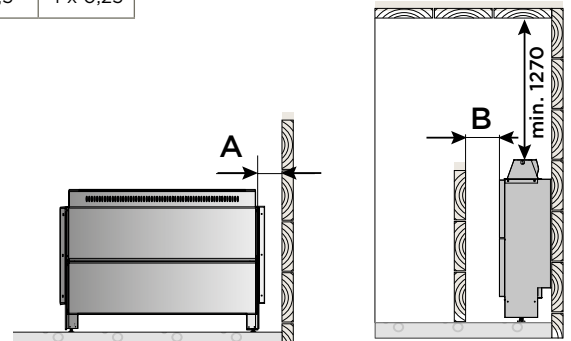
Dimensions: width 340 mm, depth 95 mm, height 680 mm, weight 6 kg

Hidden heater

Heater model	Power kW	Recommended sauna room size min.-max. m ³	Sauna room height min. mm	Stone capacity max. kg	Connecting cable mm ² 400 V 3N-		
					To control unit	To heater	To sensor
HH6	6,0	6-10	2100	15	5 x 1,5	5 x 1,5	4 x 0,25
HH9	9,0	10-14	2100	15	5 x 2,5	5 x 2,5	4 x 0,25
HH12	12,0	12-17	2100	15	5 x 4,0	5 x 2,5	4 x 0,25

Heater dimensions: width 1175 mm, depth 290 mm, height 830 mm, weight 33 kg

SAFETY DISTANCES		
Heater model	A min. mm	B min. mm
HH6	75	75
HH9	75	90
HH12	75	120

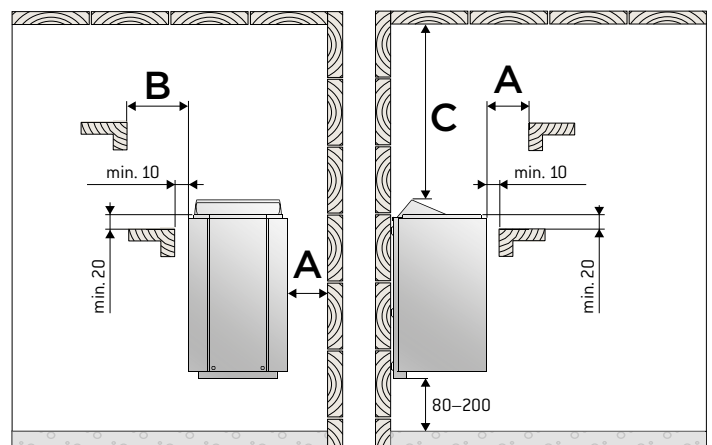


Vega Compact

Heater model	Power kW	Recommended sauna room size min.-max. m ³	Sauna room height min. mm	Stone capacity max. kg	400 V 2N-		230 V 1 N-	
					Connecting cables mm ²	Fuse A	Connecting cables mm ²	Fuse A
BC23	2,3	1,3-2,5	1700	12	4 x 1,5	2 x 10	3 x 1,5	1 x 10
BC35	3,5	2-4,5	1700	12	4 x 1,5	2 x 10	3 x 2,5	1 x 16

Heater dimensions: width 280 mm, depth 295 mm, height 505 mm, weight 7 kg

SAFETY DISTANCES			
Heater model	A min. mm	B min. mm	C min. mm
BC23	10	20	900
BC35	20	30	900

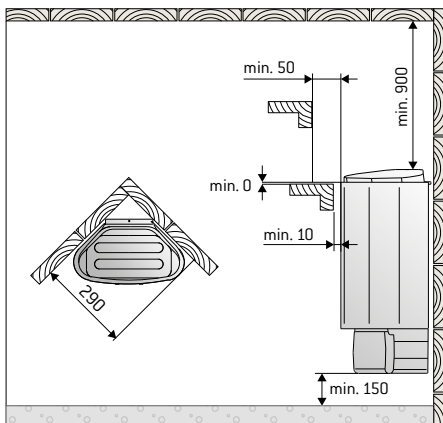


Delta, Delta EE, Delta Combi

TECHNICAL DATA								
Heater model	Power kW	Recommended sauna room size min.-max. m ³	Sauna room height min. mm	Stone capacity max. kg	400 V 2N-		230 V 1N-	
					Connecting cables mm ²	Fuse A	Connecting cables mm ²	Fuse A
D23	2,3	1,3-2,5	1700	11	4 x 1,5	2 x 10	3 x 1,5	1 x 10
D36	3,6	2-4,5	1700	11	4 x 1,5	2 x 10	3 x 2,5	1 x 16
D23EE	2,3	1,3-2,5	1700	11	4 x 1,5	2 x 10	3 x 1,5	1 x 10
D29EE	2,9	2-4	1700	11	4 x 1,5	2 x 10	3 x 2,5	1 x 13
D36EE	3,6	2-4,5	1700	11	4 x 1,5	2 x 10	3 x 1,5	1 x 16
D29SE	2,9	1,5-4	1700	11	-	-	3 x 2,5	1 x 13 (1x16)

Heater dimensions: width 340 mm, depth 200 mm, height 635 mm, weight 8 kg

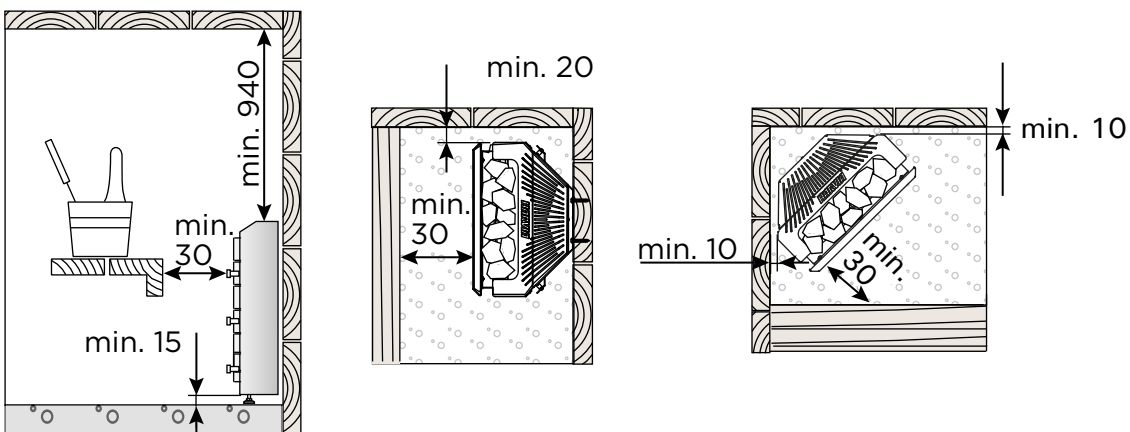
SAFETY DISTANCES



Unio

TECHNICAL DATA				
Heater model	Power kW	Recommended sauna room size min.-max. m ³	Sauna room height min. mm	Stone capacity max. kg
NK3601E/NK3601EE	3,6	1,5-5,5	1900	36

Heater dimensions: width 365 mm, depth 227 mm, height 1070 mm, weight 14 kg

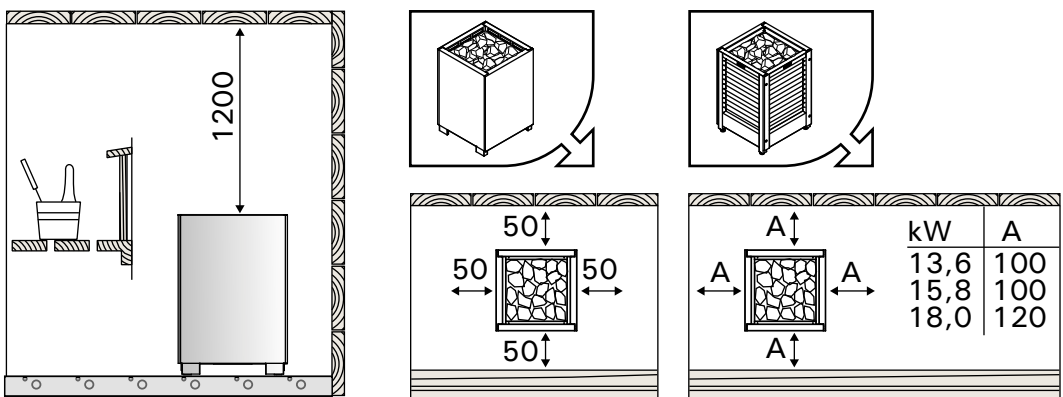


Modulo

TECHNICAL DATA								
Heater model	Power kW	Vaporizer		Recommended sauna room size min.-max. m ²	Sauna room height min. mm	Stone capacity max. kg	Stone size	
		Power kW	Max. vapourisation kg/h				AC3020 ø 10-15 cm kg	AC3000 ø under 10 cm kg
MD135G / MDS135G	13,6	—	—	11-20	2100	160	140	20
MD160G / MDS160G	15,8	—	—	15-25	2100	160	140	20
MD180G / MDS180G	18	—	—	20-28	2100	160	140	20

Heater dimensions: width 550 mm, depth 550 mm, height 805 mm, weight 47 kg

SAFETY DISTANCES



ELECTRICAL CONNECTIONS						
Model	Power kW	Groups pcs	Power/group	Fuses 1 A	Connecting cable H07RN-F min. mm ²	Connecting cable H07RN-F min. mm ²
MD135	13,6	2	6,8	3 x 25	5 x 2,5	5 x 2,5
MD160	15,8	2	7,9	3 x 25	5 x 2,5	5 x 2,5
MD180	18	2	9	3 x 35	5 x 2,5	5 x 2,5

ELECTRICAL CONNECTIONS							
Model	Group		Power kW	Groups pcs	Fuses 1 A	Connecting cable H07RN-F min. mm ²	Connecting cable H07RN-F min. mm ²
	A	B					
MDA 165/200	Y	-	16,6	1	3 x 25	5 x 6	-
	Δ	Y	16,6	2	3 x 25	5 x 2,5	5 x 2,5
	Y	Y	19,8	2	3 x 30	5 x 6	5 x 6

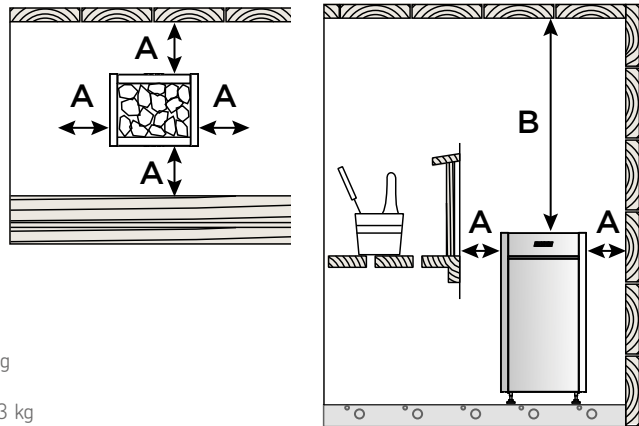
PLEASE SEE THE USER MANUAL FOR MORE DETAILED INSTALLATION INSTRUCTIONS!

TECHNICAL DATA							
Heater model	Power kW	Vaporizer		Recommended sauna room size min.-max. m ³	Sauna room height min. mm	Stone capacity max. kg	Stone size (AC3020) cm
		Power kW	Max. vaporisation kg/h				
HL70/HLS70	6,8	-	-	5-10	1900	50	Ø 10-15
HL90/HLS90	9,0	-	-	8-14	1900	50	Ø 10-15
HL110/HLS110	10,8	-	-	9-18	1900	70	Ø 10-15
HL70S/HLS70S/ HL70SA/HLS70SA	6,8	2,0	2,5	5-10	1900	50	Ø 10-15
HL90S/HLS90S/ HL90SA/HLS90SA	9,0	2,0	2,5	8-14	1900	50	Ø 10-15
HL110S/HLS110S/ HL110SA/HLS110SA	10,8	2,0	2,5	9-18	1900	70	Ø 10-15
HL135/HLS135	13,5	-	-	11-20	2100	100	Ø 10-15
HL160/HLS160	15,8	-	-	16-25	2100	100	Ø 10-15
HL220/HLS220	21,6	-	-	22-32	2100	140	Ø 10-15
HL135SA/HLS135SA	13,5	4,0	5,0	11-20	2100	100	Ø 10-15
HL160SA/HLS160SA	15,8	4,0	5,0	16-25	2100	100	Ø 10-15
HL220SA/HLS220SA	21,6	4,0	5,0	22-32	2100	140	Ø 10-15

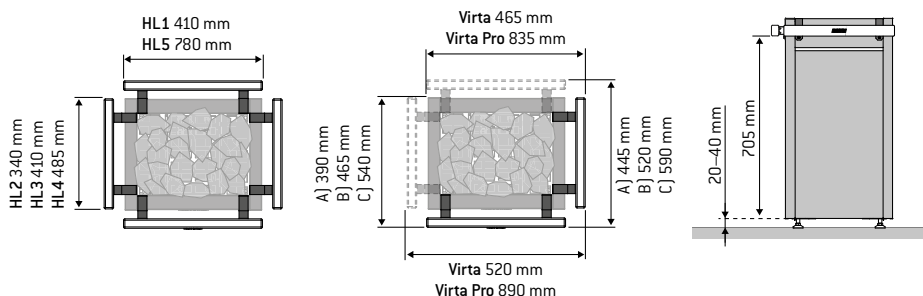
SAFETY DISTANCES		
Heater model	A min. mm	B min. mm
6,8-10,8 kW	30	1100
13,5 kW	50	1290
15,8-21,6 kW	80	1290

Heater dimensions:

HL/HLS70-90: Width 415 mm, depth 340 mm, height 810, weight 21 kg
 HL/HLS110: Width 415 mm, depth 410 mm, height 810, weight 24 kg
 HL/HLS135-160: Width 780 mm, depth 340, height 810 mm, weight 41 kg
 HL/HLS220: Width 780 mm, depth 410, height 810 mm, weight 47 kg
 HL/HLS70-90S/SA: Width 415 mm, depth 410 mm, height 810, weight 27 kg
 HL/HLS110S/SA: Width 415 mm, depth 485 mm, height 810, weight 29 kg
 HL/HLS135-160S/SA: Width 780 mm, depth 410 mm, height 810, weight 53 kg
 HL/HLS220S/SA: Width 780 mm, depth 485 mm, height 810, weight 57 kg



SAFETY RAILING						
1 pc/carton		HL1 410 mm	HL2 340 mm	HL3 410 mm	HL4 485 mm	HL5 780 mm
Virta	HL70/HLS70/HL90/HLS90	2	2			
	HL110/HLS110/HL70S/HLS70S/HL70SA/HLS70SA/ HL90S/HLS90S/HL90SA/HLS90SA	2		2		
	HL110S/HLS110S/HLS110SA/HLS110SA	2			2	
Virta Pro	HL135/HL160/HLS135/HLS160		2			2
	HL220/HL135SA/HL160SA/HLS220/HLS135SA/ HLS160SA			2		2
	HL220SA/HLS220SA				2	2



ELECTRICAL CONNECTIONS		
Power kW	Fuses A	Connecting cable H07RN-F, min. mm ²
0-6,9	3 x 10	5 x 1,5
< 7-11	3 x 16	5 x 1,5
< 11-17	3 x 25	5 x 2,5

ELECTRICAL CONNECTIONS						
Model	Power kW	Power kW group I	Power kW group II	Fuses group I (A)	Fuses group II (A)	Connecting cable H07RN-F min. mm ²
HL135	13,5	13,5	-	20	-	5 x 6
HL135	13,5	6,75	6,75	10	10	5 x 1,5
HL160	15,8	15,8	-	25	-	5 x 6
HL160	15,8	6,75	9,0	10	16	5 x 2,5
HL220	21,6	10,8	10,8	16	16	5 x 2,5

PLEASE SEE THE USER MANUAL FOR MORE DETAILED INSTALLATION INSTRUCTIONS!

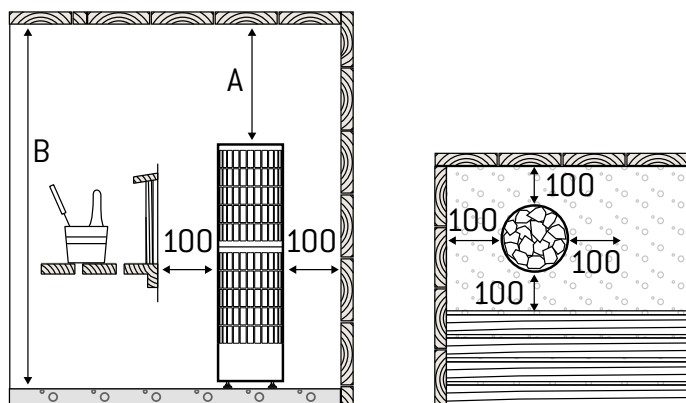
Cilindro Pro

TECHNICAL DATA											
Heater model	Power kW	Group		Groups	Fuse		Recommended sauna room size min.-max. m ³	Sauna height min. mm	Stone capacity max. kg	Connecting cable min. mm	
		1	2		1 (A)	2 (A)				Group 1	Group 2
PC100E / PC135E	10	Δ	-	1	3 x 16	-	9-16	1900	140	5 x 2,5	-
	13,2	Y	-	1	3 x 20	-	11-20	1900	140	5 x 6	-
PC165E / PC200E	16,6	Y	-	1	3 x 25	-	15-25	2100	220	5 x 6	-
	16,6	Δ	Y	2	3 x 16	3 x 10	20-30	2100	220	5 x 2,5	5 x 2,5
	19,8	Y	Y	2	3 x 20	3 x 10	20-30	2100	220	5 x 6	5 x 2,5

Heater dimensions:

PC100/135E width 355 mm, depth 355 mm, height 1300 mm, weight 18 kg
 PC165E/PC200E width 450 mm, depth 450 mm, height 1300 mm, weight 28 kg

SAFETY DISTANCES		
Heater model	A min. mm	B min. mm
PC100E / PC135E	550	1900
PC165E / PC200E	750	2100



Legend

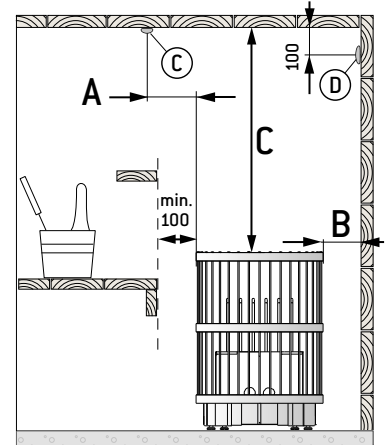
TECHNICAL DATA								
Heater model	Power kW	Recommended sauna room size min.-max. m ²	Sauna height min. mm	Stone capacity max. kg	400 V 3N- connecting cable mm ²			Fuse A
					To control unit	To junction box	To heater	
PO11	11,0	9-20	1900	120	5 x 2,5	4 x 0,25	5 x 2,5	3 x 16
PO165	16,5	16-35	2100	220	5 x 6,0	4 x 0,25	5 x 2,5	3 x 25

Heater dimensions:

PO11 width 530 mm, depth 530 mm, height 740 mm, weight 30 kg
 PO165 width 600 mm, depth 600 mm, height 830 mm, weight 33 kg

SAFETY DISTANCES					
Heater model	A min. mm	A max. mm	B min. mm	B max. mm	C min. mm
PO11	100	150	100	200	1100
PO165	200	300	150	300	1250

Location options for the sensor (C, D)

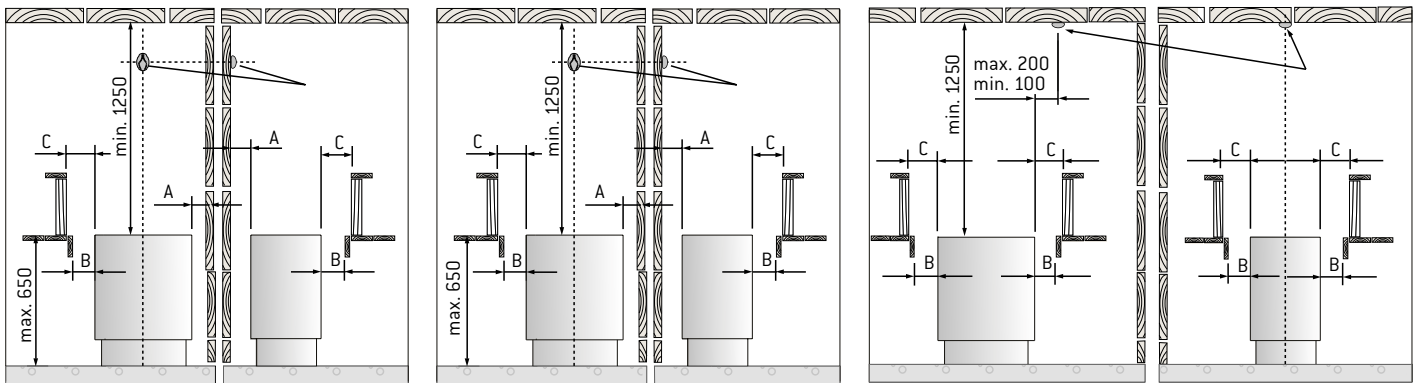


Senator

TECHNICAL DATA						
Heater model	Power kW	Recommended sauna room size min.-max. m ³	Sauna room height min. mm	Stone capacity max. kg	400 V 3N-connecting cable mm ²	Fuse A
T9	9,0	8-14	1900	40	5 x 2,5	3 x 16
T10,5	10,5	9-15	1900	40	5 x 2,5	3 x 16

Heater dimensions: width 465 mm, depth 345 mm, height 660 mm, weight 19 kg

SAFETY DISTANCES				
Heater model	A min. mm	A max mm	B min. mm	C min. mm
T9	120	150	50	80
T10,5	150	180	50	100



Senator Combi

TECHNICAL DATA						
Heater model	Power kW	Recommended sauna room size min.-max. m ³	Sauna room height min. mm	Stone capacity max. kg	400 V 3N-connecting cable mm ²	Fuse A
T7C / T7CA	7,0	6-9	1900	35	5 x 2,5 + 2 x 2,5	3 x 16
T9C / T9CA	9,0	8-14	1900	35	5 x 2,5 + 2 x 2,5	3 x 16

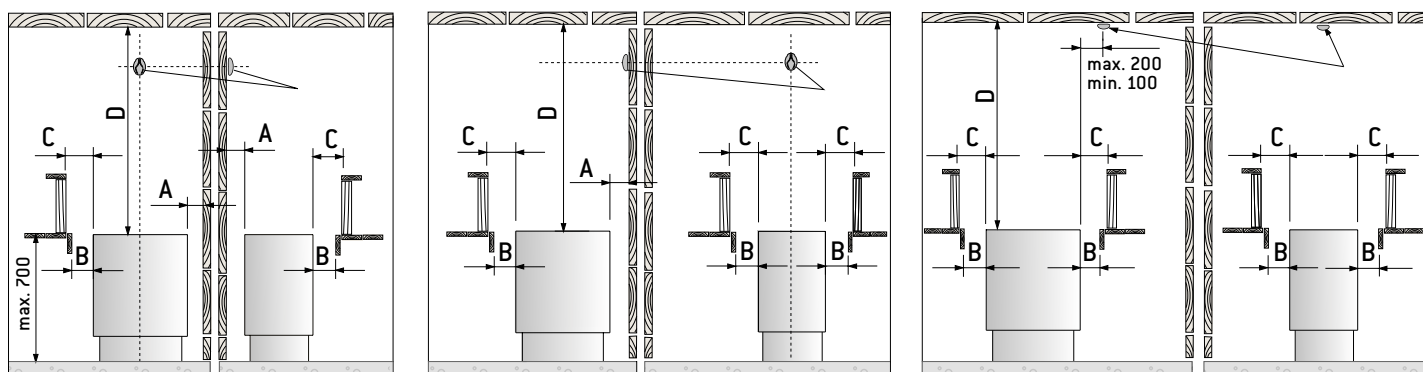
Heater dimensions: width 345 mm, depth 465 mm, height 660 mm, weight 20 kg

SAFETY DISTANCES				
Heater model	A min. mm	A max mm	B min. mm	C min. mm
T7C / T7CA	80	120	35	60
T9C / T9CA	120	150	50	80

TECHNICAL DATA								
Heater model	Power kW	Recommended sauna room size min.-max. m ³	Sauna room height min. mm	Stone capacity max. kg	400 V 3N-connecting cable mm ²			Sulake A
					To control unit	To sensor	To heater	
K11G	11,0	9-16	1900	60	5 x 2,5	4 x 0,25	5 x 2,5	3 x 16
K13,5G	13,5	11-20	2100	60	5 x 4,0	4 x 0,25	5 x 2,5	3 x 20
K15	15,0	14-24	2100	60	5 x 6,0	4 x 0,25	5 x 2,5	3 x 25

Heater dimensions: width 505 mm, depth 430 mm, height 700 mm, weight 25 kg

SAFETY DISTANCES					
Heater model	A min. mm	A max mm	B min. mm	C min. mm	D min. mm
K11G	70	170	50	70	1200
K13,5G	100	200	50	100	1400
K15	100	200	50	100	1400



Club Combi

TECHNICAL DATA						
Heater model	Power kW	Recommended sauna room size min.-max. m ³	Sauna room height min. mm	Stone capacity max. kg	400 V 3N-connecting cable mm ²	Fuse A
K11GS	11,0	9-16	1900	60	5 x 1,5 + 4 x 1,5	3 x 16*
K13,5GS	13,5	11-20	2100	60	5 x 2,5 + 4 x 1,5	3 x 20*
K15GS	15,0	14-24	2100	60	5 x 2,5 + 4 x 1,5	3 x 25*

Heater dimensions: width 505 mm, depth 490 mm, height 700 mm, weight 30 kg

SAFETY DISTANCES					
Heater model	A min. mm	A max. mm	B min. mm	C min. mm	D min. mm
K11GS	70	170	50	70	1200
K13,5GS	100	200	50	100	1400
K15GS	100	200	50	100	1400

*) Club Combi requires a separate supply voltage for the heater (3-phase 16/25 A) and for the control unit (1-phase 10 A).

Profi

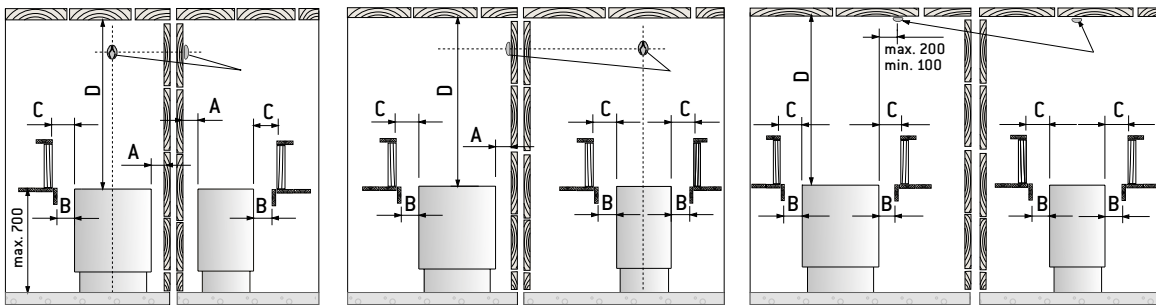
TECHNICAL DATA

Heater model	Power kW	Recommended sauna room size min.-max. m ³	Sauna room height min. mm	Stone capacity max. kg	400 V 3N-			Fuse A
					To control unit	To sensor	To heater group 1 and 2	
L20	20,0	18-30	2100	100	5 x 10	4 x 0,25	5 x 2,5	3 x 35
L26	26,0	30-46	2200	100	5 x 16	4 x 0,25	5 x 6,0	3 x 50
L30	30,0	40-56	2200	100	5 x 16	4 x 0,25	5 x 6,0	3 x 50
L33	33,0	46-66	2200	100	5 x 16	4 x 0,25	5 x 6,0	3 x 50

Heater dimensions: width 500 mm, depth 900 mm, height 730 mm, weight 60 kg

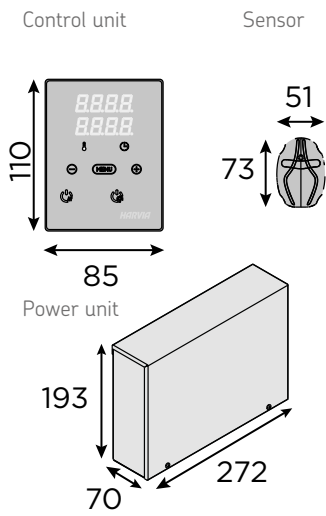
SAFETY DISTANCES

Heater model	A min. mm	B min. mm	C min. mm
L20	160	100	200
L26	160	100	200
L30	200	100	200
L33	200	100	200

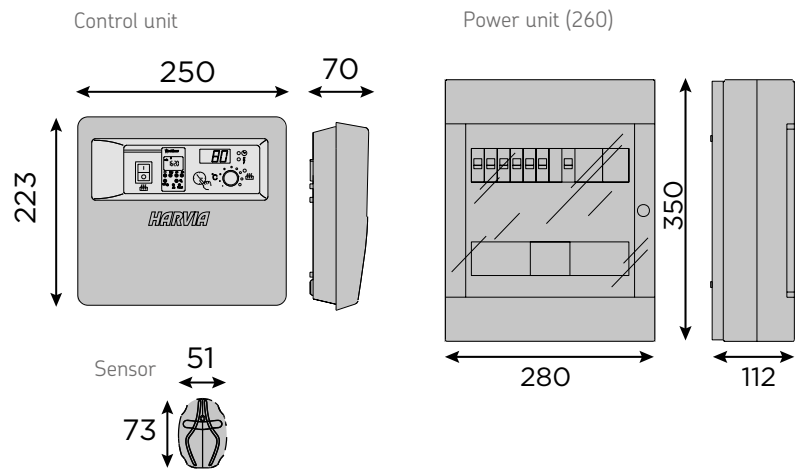


Control units

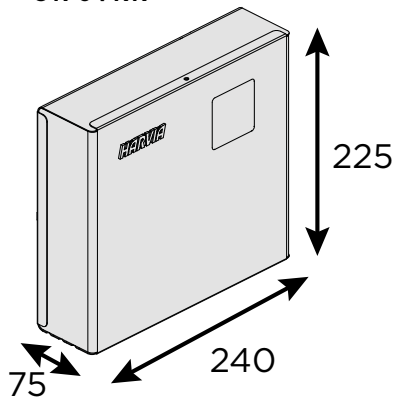
XENIO



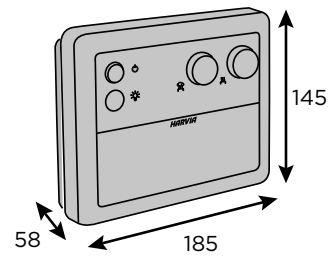
C SERIE



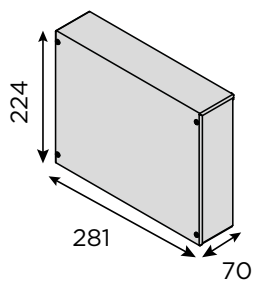
C170VKK



SENLOG

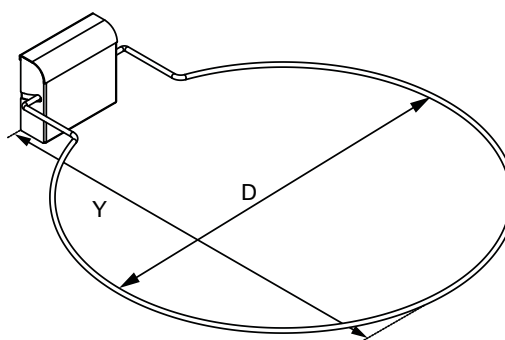
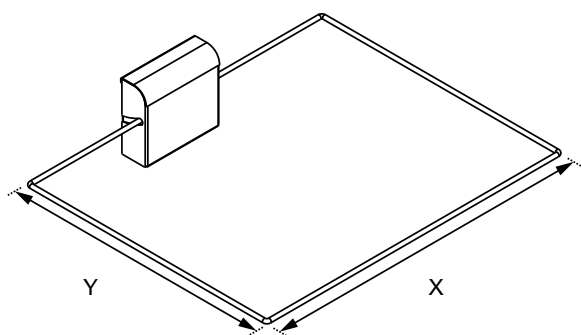


LTY17 / LTY17C



Sauna heaters compatible with the safety switch

Heater model	Safety switch model						
	Power	SFE-220400	SFE-350400	SFE-500400	SFE-D350	SFE-D450	SFE-D530
		220x400 mm	350x400 mm	500x500 mm	ø 350 mm	ø 450 mm	ø 530 mm
Sound	9 kW	X					
KIP	6-9 kW	X					
Vega	4,5-9 kW	X					
Topclass	4,5-8 kW	X					
Topclass Combi	5-8 kW		X				
Club, Club Combi	11-15 kW			X			
Senator, Senator Combi	9-10,5 kW			X			
Profi	20-33 kW			X (2 pcs)			
Virta	7-9 kW		X				
Virta Combi	7-9 kW		X				
Virta	11 kW		X				
Virta Combi	11 kW			X			
Virta Pro	13,5-16 kW		X (2 pcs)				
Virta Pro	22 kW			X			
Virta Pro Combi	13,5-16 kW			X			
Virta Pro Combi	22 kW			X			
Modulo	13,5-18 kW			X			
Modulo Combi	13,5-18 kW			X			
Modulo Alto	16,5-20 kW			X			
Cilindro	7-11 kW				X		
Cilindro Pro	10-13,5 kW				X		
Cilindro Pro	16,5-20 kW					X	
Legend	11-16,5 kW						X



Model	X (mm)	Y (mm)
SFE-220400	400	200
SFE-350400	400	350
SFE-500500	500	500

Model	X (mm)	Y (mm)
SFE-D350	350	440
SFE-D450	450	540
SFE-D530	530	620



The largest manufacturer of sauna heaters in the world has the right heater for every sauna.

HARVIA

Sauna & Spa

P.O. Box 12
FI-40951 Muurame, FINLAND
Tel. +358 207 464 000
harvia@harvia.fi
www.harvia.com



@ harviaglobal