

HARVIA HD

HD360400

The stylish heater, made of shiny stainless steel, contains a generous amount of stones that give off a wonderful cloud of steam. Thanks to its design, Delta can be placed in a corner for optimal utilisation of space.

Advantages

- A triangular, space-efficient heater
- Thanks to its design, can be placed in a corner
- Quick and easy to install



Features

Main material : Steel

H x W x D : 635.0 x 340.0 x 200.0 mm

Net weight (kg) : 7.6

Installation type : Corner, Wall

ID	GTIN	Output (kW)	Sauna room size min - max m ³
HD360400	6410082612369	3.6 kW	2.0-4.5



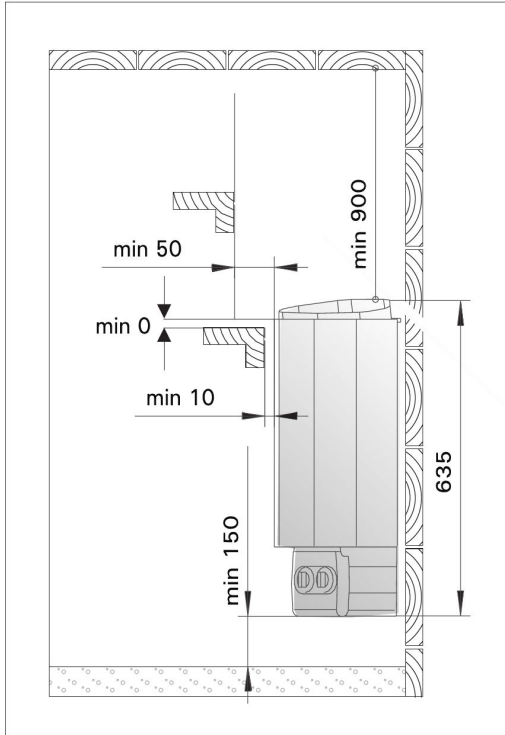
Spare parts

Product	ID	Pcs
Heating element 1800W/230V	ZSN-160	2
Timer 4h+8h	ZSK-510	1
Thermostat/overheating limiter switch	ZSK-520	1
Thermostat knob	ZST-220	1
Timer knob	ZST-230	1
End cap Termon. Tam1514	ZST-155	1

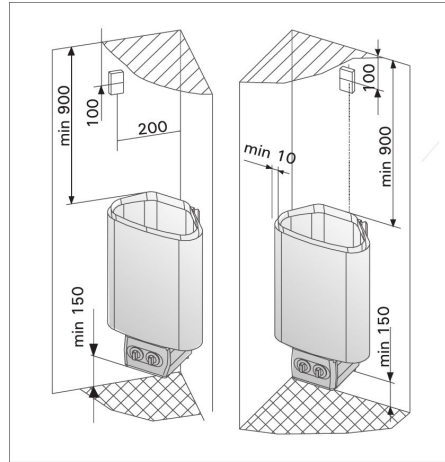
Technical details

Technical data	Type / attribute	HD360400
	Color	Stainless Steel
	Power output	3.6 kW
	Stone sizes	5-10 cm
	Stone amount (kg)	11
Dimensions	Product width (mm)	340
	Product height (mm)	635
	Product depth (mm)	200
	Net weight (kg)	7.6
	Gross weight	8.4
	Package width	360
	Package height	670
	Package depth	225
Safety and installation dimensions	Safety distance front (non-combustible materials)	10
	Safety distance front (combustible materials)	10
	Safety distance side (non-combustible materials)	10
	Safety distance side (combustible materials)	10
	Safety distance behind (non-combustible materials)	10
	Safety distance (Ceiling) (depends on connections and therefore from output, star/delta)	900
	Room min. height(depends on connections and therefore from output, star/delta)	1700

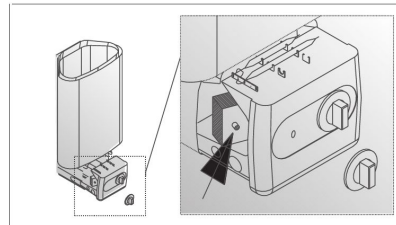
Technical images



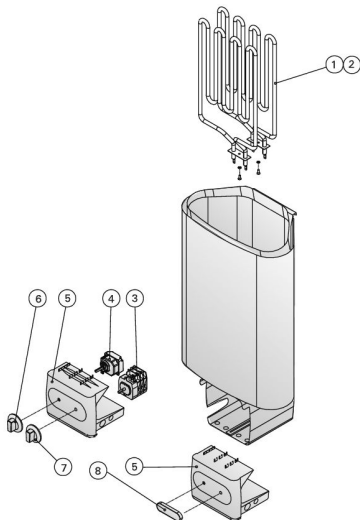
Safety distances (all dimensions in millimeters)



Installing the temperature sensor (all dimensions in millimeters)

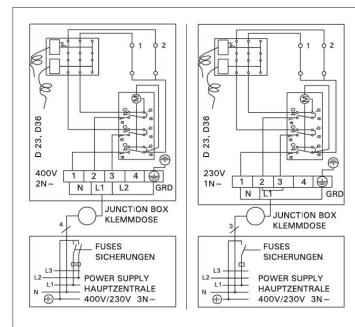


Reset button for overheat protector

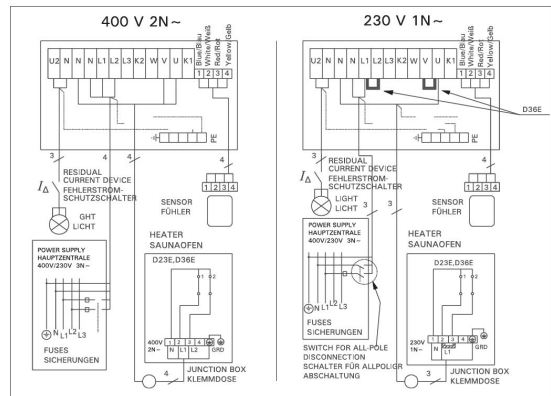


1	Heating element	Heizelement	1800 W/230 V	ZSN-100	D36, D36E
2	Heating element	Heizelement	1150 W/230 V	ZSN-150	D23, D23E
3	Timer	Uhrschalter		ZSK-510	D23, D36
4	Thermostat	Thermostat		ZSK-520	D23, D36
5	End-piece of the conn. box	Stirnstück des Anschlußgehäuses		ZST-50	D23, D36, D23E, D36E
6	Knob of the thermostat	Drehknopf des Thermostats		ZST-220	D23, D36
7	Knob of the timer	Drehknopf der Uhrschalter		ZST-230	D23, D36
8	Cover	Deckplatte		ZST-155	D23E, D36E

We recommend to use only the manufacturer's spare parts.
Es dürfen ausschließlich die Ersatzteile des Herstellers verwendet werden.



Electrical connections of heater (D23, D36)



Electrical connections of heater (D23E, D36E) and control unit C90