



The modification kit is designed to convert a PAH (push and hold) toilet system to a VOD (vacuum on demand) toilet system.

All components will be used if the toilet is equipped with a flushing nozzle (Jets® Charm, Pearl).

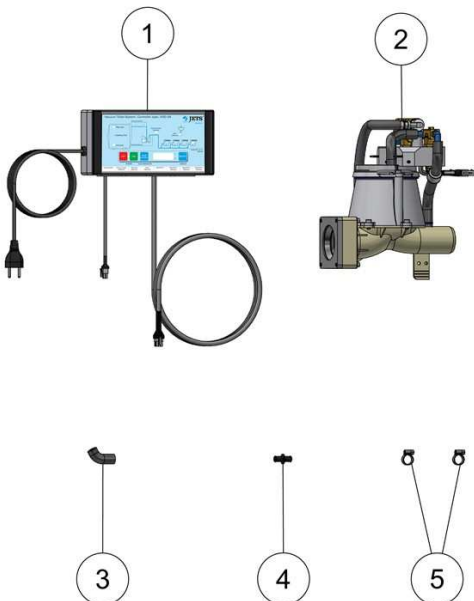
Only components 1 and 2 will be used if the toilet is equipped with a flushing ring (Jets® Jade, 50M, 59M).

Technical Data

Suitability - Jets®.....	Toilet Jets® Jade Wall/Floor
	Toilet Jets® Charm Wall
	Toilet Jets® Pearl Wall
	Toilet Jets® 50M Floor
	Toilet Jets® 59M Wall
Weight.....	3.70 kg

Disclaimer

Note: Our products and services are offered and sold subject to Jets Vacuum AS' General Sales Conditions, copies of which will be furnished upon request. Information provided herein is solely for information purposes, does not constitute any warranty or representation of any kind and is subject to change without notice. We strive to reproduce product colors reasonably accurate. Without prior written approval, this document or any part of may not be reproduced in any form. Jets®, Vacuumarator®, RagBox®, Helivac™, VC™, VOD™, CVS™ and Softsound™ are trademarks and/or registered trademarks of Jets. © Jets AS. All rights reserved.



Components

1	VTS Controller VOD 110-240VAC	121315128*
2	CFD Valve 12VDC, Complete	055100150*
3	Hose	034509000*
	<small>⊘ (1 of 034509000 = 1m in length)</small>	
4	Coupling	034502602*
5	Hose Clip 12-20mm	034233401*

* Component/s available as replacement parts.

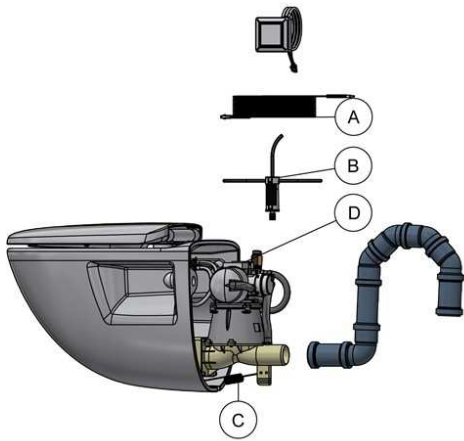
Installation

Before starting, empty the toilet of water by closing the water supply and activating the release button to run a flush cycle. Disconnect the release button from the motor controller on the pump after this (it will later be connected to the new CFD Valve).

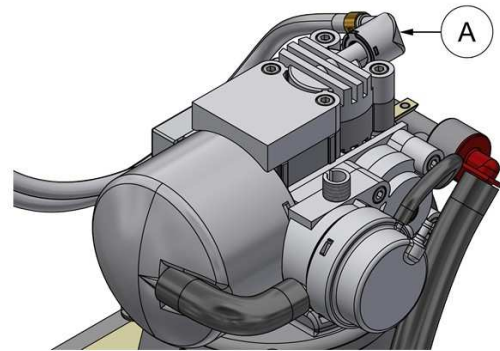
Note:
Depending on the type of flushing device, the modification kit instructions vary. Please refer to the steps below that suit your installation.

Valve Disassembly / Assembly For: Toilet Models with a Flushing Nozzle (Jets® Charm, Pearl)

- Remove the following components:
 - (A) Extension Cable 10m
 - (B) Vacuum Switch Kit
 - (C) Spring (if installed)
 - (D) VFD Valve, Complete

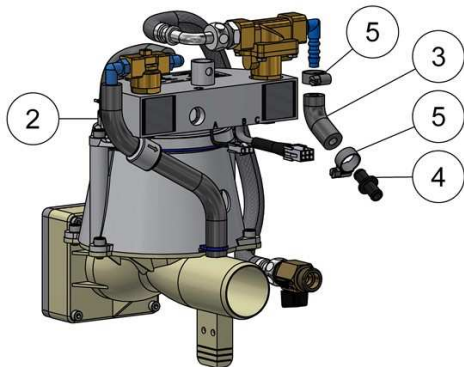


- Disconnect the water supply and the flushing device/water split from the VFD Valve.
Twist and turn the Water Split (A) while pulling; add a little force by using a screwdriver if necessary.

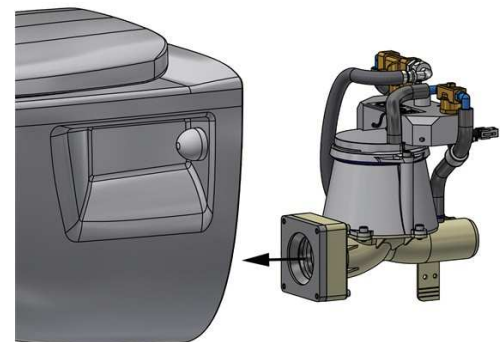


- Assemble the following components to the CFD Valve ② as shown:

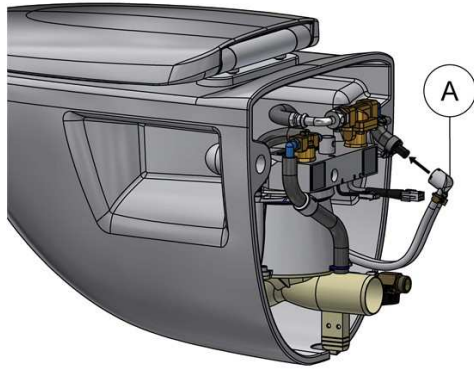
- ⑤ Hose Clip
- ③ Hose
- ⑤ Hose Clip
- ④ Coupling



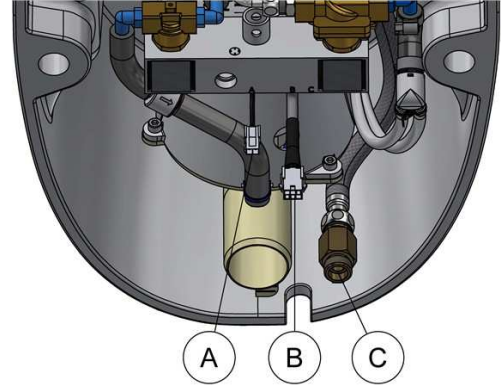
- Push the CFD Valve onto the pipe sleeve/stud connection inside the toilet and re-secure it with the spring (if installed).



5. Connect the Water Split (A) to the Coupling. Press on securely.

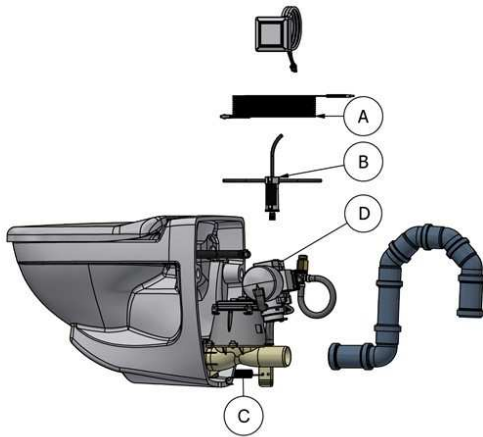


6. Connect the following:
(A) To the Release Button
(B) To the VTS Controller
(C) To the Water Supply

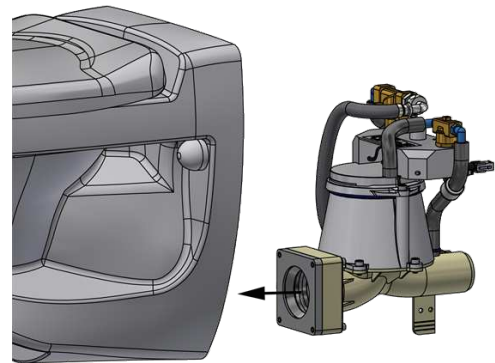


**Valve Disassembly / Assembly For:
Toilet Models with a Flushing Ring (Jets® Jade, 50M, 59M)**

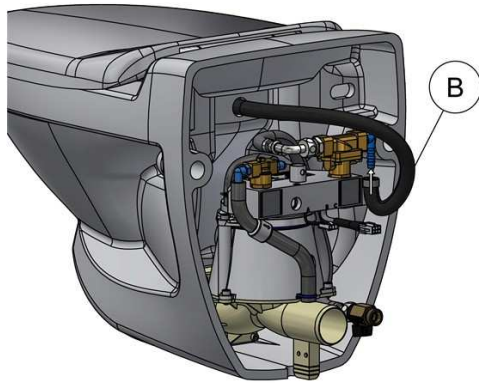
1. Remove the following components:
(A) Extension Cable 10m
(B) Vacuum Switch Kit
(C) Spring (if installed)
(D) VFD Valve, Complete



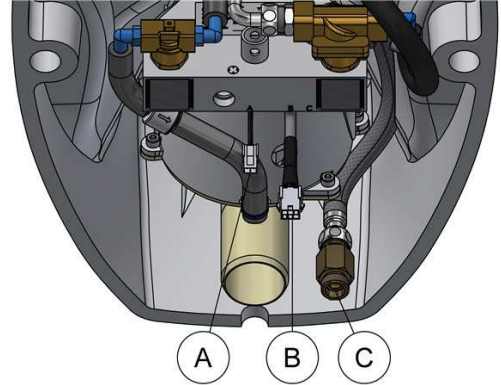
2. Push the CFD Valve onto the pipe sleeve/stud connection inside the toilet and re-secure it with the spring (if installed).



3. Connect the Flushing Ring Hose (B) to the Nipple on the CFD Valve and secure it with the hose clip.



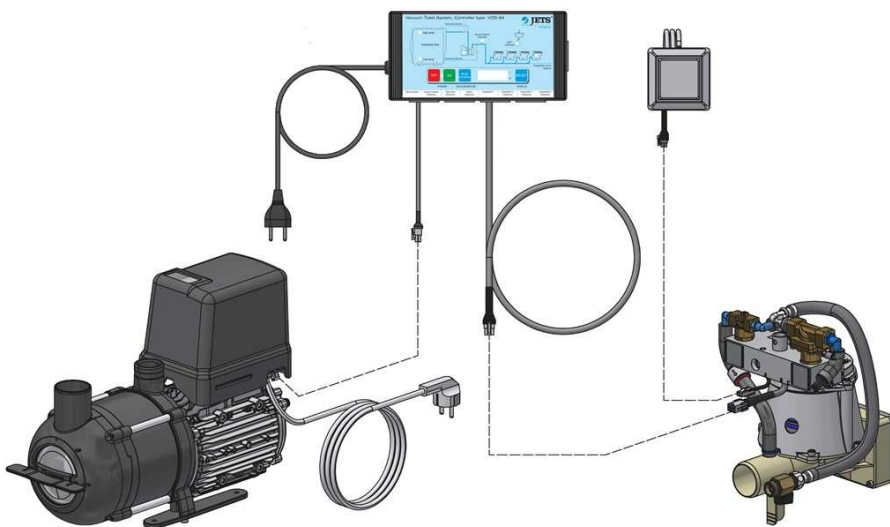
4. Connect the following:
(A) To the Release Button
(B) To the VTS Controller
(C) To the Water Supply



5. This assembly will not use the included components:
Hose ③, Coupling ④, Hose Clips ⑤.



Connection Overview of VTS Controller, Release Button and Pump



Service & Maintenance

Jets Vacuum AS provides all customers with 24 hour worldwide technical assistance. For urgent matters please contact Jets Vacuum AS service department directly at +47 70039100. For other matters, please contact your nearest Jets Vacuum AS supplier.